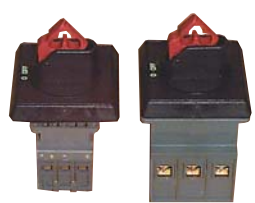






Non-fused Switches Front-handle Modular IT 25 to 160A



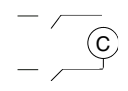
MODULAR SWITCH-DISCONNECTORS INDICATED INTERRUPTION IT 25A TO 160A Front-operated switches

- COMPLIANCE WITH: IEC 947- 1 and -3, AC 21, AC 23 J UP TO 690V, Uimp. ≥ 8KV. BS Standard.
- MOUNTING: 35 MM DIN RAIL, SCREWED ON BASE PLATE OR DOOR.
- FULLY MODULAR (FRAME ≤ 45 mm).
- EASY AND QUICK-TO-MOUNT ACCESSORIES (SNAP ON FOR 4TH POLE AND MICROSWITCHES). SPEEDS UP WIRING PROCESS WITH ELECTRICAL OR PNEUMATIC SCREW DRIVER.
- PROTECTION AGAINST HARSH CLIMATIC ENVIRONMENTS, HIGH WITHSTAND TO CREEPING ON INSULATED MATERIALS UL94 V1.
- SNAP CONTACTS which ensures rapid disconnection regardless of how fast the user turns the operation handle.
- HIGH-PERFORMANCE INTERRUPTING RATING (AC 23 & DC 23 CLASSES).
- FOR HIGHER RATINGS, REFER TO TECHNICAL DATA SHEETS.

Main Electrical Characteristics

			IT 25E	IT 32E	IT 50E	IT 63E	IT 80E	IT 125E	IT 160E
Rated operational current at ambient	40°C	I _{th}	25	32	50	63	80	125	160
Rated operational current under cover with a copper cable cross section of	40°C	I _{the}	25	32	50	63	80	125	160
		Scu	mm ²	4	6	16	16	50	70
Rated insulation voltage (U _i). Pollution class 3		V	750	750	750	750	750	750	750
Rated operational voltage AC-20 DC-20		V	750	750	750	750	750	750	750
Rated impulse withstand voltage		kV	8	8	8	8	8	8	12
Rated operating current AC22	500V	A	16	25	50	63	80	125	160
AC-21-A / AC-22-AAC21	690V	A	16	25	50	63	80	125	160
Rated operating current AC-23-A	≤415V		16	20	45	63	55	90	135
	500V	A	16	20	45	58	32	70	125
	690V		10	11	20	20	20	50	80
Rated operating power AC-23 with a 3-phase 1.500 rpm standard asynchronous motor at	220/240V		3	4	11	22	18,5	22	45
	380/440V	kW	7,5	9	22	37	30	45	75
	500/690V		7,5/7,5	9/9	22/15	37/18,5	18,5/15	45/45	75/75
AC-23 Interrupting rating : I _c A under rated operating voltage (U) _e	≤415V		128	160	340	640	440	720	1080
	500V	A	128	160	360	464	256	560	1000
	690V		80	88	160	160	160	400	640
DC-23-A rating operating current /poles in series**	110V		16/2	25/2	50/2	63/2	80/2	125/2	160/1
	220V	A	16/4	25/4	45/4	45/4	45/4	63/4	160/2
	440V		10/4	10/4	10/4	10/4	10/4	-	160/3
RMS permissible short duration (1.5) rated current	0,25s	kA	-	-	-	-	-	-	7
	1 s	kA	0,5	0,5	1	1,5	1,5	2,5	4
Mechanical endurance: operation cycles number (1 cycle = 1 opening + 1 closing of contacts)			10 000	10 000	10 000	10 000	10 000	10 000	10 000
Electrical endurance operation cycles number at I _e and cosφ 0.65	500V		3000	3000	3000	3000	3000	3000	1000
Power loss per pole		W	0,3	0,6	2,8	4,5	6,4	6,3	6,5
Tightening torque for terminals	mini	Nm	0,8	0,8	2	2	2,5	6	6
	maxi		0,88	0,88	2,2	2,2	2,75	6,6	6,6
Permissible section for tightening of copper wires (section ≥Scu is recommended)		mm ²	0,75...10	0,75...10	1,5...35	2,5...35	2...50	10...70	10...70

** To be realised by the user. Distributing poles per conductor e.g. 2poles in series





Non-fused Switches Front-handle Modular IT 25 to 160A

Modular switch-disconnectors and accessories Reference Number

Current rating Ith	Poles	Designation	Reference Number	Non-padlockable direct handle	Padlockable external handle 3 padlocks Ø 8 mm IP 65	Necessary shaft for external handle	Auxilliary contact 1 NC	Auxilliary contact 1 NO	Pole # 4 (for 3-pole switches only modulable on both sides)
DIN-rail or screwed on base mounting. IT with indicated interruption.							2 contacts max. on each side		
25 A	3/4	IT 25E III IT 25E IV	F210064 G210065	Supplied with switch (red handle*)	N207702 (Red & Yellow) H208571 (Black) (Necessary shaft)	M207701 (L = 130 mm) T208558 (L = 330 mm)	M207494 Located on left side	L207493 Located on right side	S208120 <small>Prohibited for 4-pole switch</small>
32 A	3/4	IT 32E III IT 32E IV	D207486 E207487						S208120 <small>Prohibited for 4-pole switch</small>
50 A	3/4	IT 50E III IT 50E IV	F207488 G207489						T208121 <small>Prohibited for 4-pole switch</small>
63 A	3/4	IT 63E III IT 63E IV	H207490 J207491						T208121 <small>Prohibited for 4-pole switch</small>
80 A	3/4	IT 80E III IT 80E IV	B208956 C208957						F208960 <small>Prohibited for 4-pole switch</small>
125 A	3/4	IT 125E III IT 125E IV	D208958 E208959						G208961 <small>Prohibited for 4-pole switch</small>
DIN-rail or screwed on base mounting. IT with visible interruption.									
160 A	3/4	IT 160E III IT 160E IV	D208107 E208108	G208110 black handle (no microswitch)	M209909 (black) (extended shaft is supplied) N209910 (Red & Yellow)	B210106 (L = 290 mm)	L208114 <small>Necessity of using a K 208 113 base for enabling the mounting of 1 to 6 contacts auxiliary contacts (maxi 3 NO+3 NC). Cannot be mounted with the direct handle.</small>	M208115	F208109 <small>Prohibited for 4-pole switch Mounting on left side only (refer to drawing)</small>

Catalog Number

Current rating Ith	Poles	Designation	Catalog Number	Non-padlockable direct handle	Padlockable external handle 3 padlocks Ø 8 mm IP 65	Necessary shaft for external handle	Auxilliary contact 1 NC	Auxilliary contact 1 NO	Pole # 4 (for 3-pole switches only modulable on both sides)
DIN-rail or screwed on base mounting. IT with indicated interruption.							2 contacts max. on each side		
25 A	3/4	IT 25E III IT 25E IV	IT25S3CF IT25S4CF	Supplied with switch (red handle*)	PINIT25/125 (Red & Yellow) PIRJIT25/125 (Black) (Necessary shaft)	A130IT25/125 (L = 130 mm) AIT330 (L = 330 mm)	FOIT25/125ETNO Located on left side	FOIT25/125ETNC Located on right side	4PIT25/32 <small>Prohibited for 4-pole switch</small>
32 A	3/4	IT 32E III IT 32E IV	IT32S3CF IT32S4CF						4PIT25/32 <small>Prohibited for 4-pole switch</small>
50 A	3/4	IT 50E III IT 50E IV	IT50S3CF IT50S4CF						4PIT50/63 <small>Prohibited for 4-pole switch</small>
63 A	3/4	IT 63E III IT 63E IV	IT63S3CF IT63S4CF						4PIT50/63 <small>Prohibited for 4-pole switch</small>
80 A	3/4	IT 80E III IT 80E IV	IT80S3CF IT80S4CF						4PIT80 <small>Prohibited for 4-pole switch</small>
125 A	3/4	IT 125E III IT 125E IV	IT125S3CF IT125S4CF						4PIT125 <small>Prohibited for 4-pole switch</small>
DIN-rail or screwed on base mounting. IT with visible interruption.									
160 A	3/4	IT 160E III IT 160E IV	IT160S3CF IT160S4CF	PIRNIT160 black handle (no microswitch)	PENITC32/160 (black) (extended shaft is supplied) PERJIT160 (Red & Yellow)	A290ITC50/160 (L = 290 mm)	FOIT160NC <small>Necessity of using a K 208 113 base for enabling the mounting of 1 to 6 contacts auxiliary contacts (maxi 3 NO+3 NC). Cannot be mounted with the direct handle.</small>	FOIT160NO	4PIT160 <small>Prohibited for 4-pole switch Mounting on left side only (refer to drawing)</small>



Non-fused Switches Front-handle Modular IT 25 to 160A

Ready to install complete switch

Switch + direct handle + External handle + Shaft 330 mm + Auxiliary preisolating contacts (No - Nc)
Protection against Live Terminal Touching

Current rating Ith	Poles	Designation	Reference Number	Catalog Number
25A	3	IT 25 CIII Cde Front N&R	D 235201	IT25C3CFN
	4	IT 25 CIV Cde Front N&R	E 235202	IT25C4CFN
	3	IT 25 CIII Cde Front J&R	F 235203	IT25C3CFJ
	4	IT 25 CIV Cde Front J&R	G 235204	IT25C4CFJ
32A	3	IT 32 CIII Cde Front N&R	H 235205	IT32C3CFN
	4	IT 32 CIV Cde Front N&R	J 235206	IT32C4CFN
	3	IT 32 CIII Cde Front J&R	K 235207	IT32C3CFJ
	4	IT 32 CIV Cde Front J&R	L 235208	IT32C4CFJ
50A	3	IT 50 CIII Cde Front N&R	R 235213	IT50C3CFN
	4	IT 50 CIV Cde Front N&R	S 235214	IT50C4CFN
	3	IT 50 CIII Cde Front J&R	T 235215	IT50C3CFJ
	4	IT 50 CIV Cde Front J&R	V 235216	IT50C4CFJ
63A	3	IT 63 CIII Cde Front N&R	A 235221	IT63C3CFN
	4	IT 63 CIV Cde Front N&R	B 235222	IT63C4CFN
	3	IT 63 CIII Cde Front J&R	C 235223	IT63C3CFJ
	4	IT 63 CIV Cde Front J&R	D 235224	IT63C4CFJ
80A	3	IT 80 CIII Cde Front N&R	J 235229	IT80C3CFN
	4	IT 80 CIV Cde Front N&R	K 235230	IT80C4CFN
	3	IT 80 CIII Cde Front J&R	L 235231	IT80C3CFJ
	4	IT 80 CIV Cde Front J&R	M 235232	IT80C4CFJ
125A	3	IT 125 CIII Cde Front N&R	S 235237	IT125C3CFN
	4	IT 125 CIV Cde Front N&R	T 235238	IT125C4CFN
	3	IT 125 CIII Cde Front J&R	V 235239	IT125C3CFJ
	4	IT 125 CIV Cde Front J&R	W 235240	IT125C4CFJ
160A	3	IT 160 CIII Cde Front N&R	B 235245	IT160C3CFN
	4	IT 160 CIV Cde Front N&R	C 235246	IT160C4CFN
	3	IT 160 CIII Cde Front J&R	D 235247	IT160C3CFJ
	4	IT 160 CIV Cde Front J&R	E 235248	IT160C4CFJ

External handle : N&R = black - J&R = red and yellow

Control

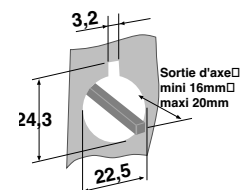
Direct handle IT 160 E
G208110



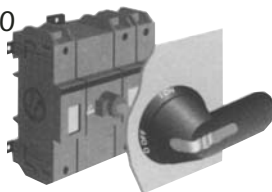
External type handle IT 25 to 125
N207702
H208571



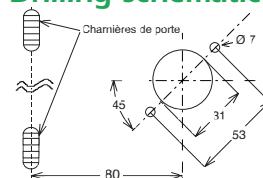
Drilling diagram



External type handle IT 160 E
M209909
N209910



Drilling schematic



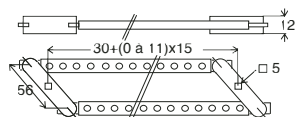
Ø 4 maxi

Padlocking device
P207496

Accessories for outside control

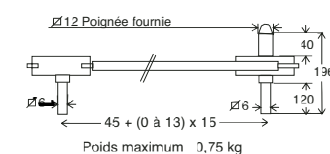
688-pole system: N097118 for IT 25 E to 125 E

To order with outside handle and 2 axes



688-pole system:

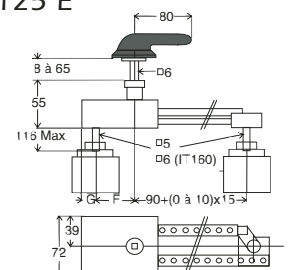
A209024 for IT 160 E



Reversing system 1-0-2:

A092598 for IT 25 E to 125 E
T081713 for IT 160 E

Outside handle supplied with





Non-fused Switches Front-handle Modular IT 25 to 160A

On door or side mounting Switch-disconnector. Modular switch-disconnector and accessories

Current rating Ith	Poles	Designation	Reference Number	Padlockable handle for on door mounting		Auxiliary contact 1 NC (left)	Auxiliary contact 1 NO (right)	Supplementary pole P : Phase - T : Ground
				Red & Yellow	Black			
32 A	3	IT 32ET III Select a 3-pole plus a 4th pole	N208116	P208117	Q208118	M207494	L207493	R208119 (P)
	4			P209083	Q209084			T209754 (T)
50 A	3	IT 50ET III Select a 3-pole plus a 4th pole	R209085	P209083	Q209084	Two contacts max. can be snapped-on		T209087 (P)
	4							
63 A	3	IT 63ET III Select a 3-pole plus a 4th pole	S209086	P209083	Q209084	Two contacts max. can be snapped-on		T209087 (P)
	4							
80 A	3	IT 80ET III Select a 3-pole plus a 4th pole	M235485	P209083	Q209084	Two contacts max. can be snapped-on		T209087 (P)
	4							

Current rating Ith	Poles	Designation	Catalog Number	Padlockable handle for on door mounting		Auxiliary contact 1 NC (left)	Auxiliary contact 1 NO (right)	Supplementary pole P : Phase - T : Ground
				Red & Yellow	Black			
32 A	3	IT 32ET III Select a 3-pole plus a 4th pole	IT32S3MP	PICRIT32ET	PINCIT32ET	FOIT25/125ET NO	FOIT25/125ET NC	4PIT32ET(P)
	4			PIRIT32ET	PINIT32ET			PTIT32ET(T)
50 A	3	IT 50ET III Select a 3-pole plus a 4th pole	IT50S3MP	PIRIT32ET	PINIT32ET	Two contacts max. can be snapped-on		4PIT50/63ET(P)
	4							
63 A	3	IT 63ET III Select a 3-pole plus a 4th pole	IT63S3MP	PIRIT32ET	PINIT32ET	Two contacts max. can be snapped-on		4PIT50/63ET(P)
	4							
80 A	3	IT 80ET III Select a 3-pole plus a 4th pole		PIRIT32ET	PINIT32ET	Two contacts max. can be snapped-on		4PIT50/63ET(P)
	4							

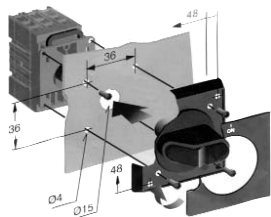
Ready to install on door or side complete switch Switch with handle and auxiliary contact (preisolating)

Current rating Ith	Poles	Designation	Reference Number	Catalog Number
32A	3	IT 32 CIII Cde Porte N&R	M 235209	IT32C3CPN
	4	IT 32 CIV Cde Porte N&R	N 235210	IT32C4CPN
	3	IT 32 CIII Cde Porte J&R	P 235211	IT32C3CPJ
	4	IT 32 CIV Cde Porte J&R	Q 235212	IT32C4CPJ
50A	3	IT 50 CIII Cde Porte N&R	W 235217	IT50C3CPN
	4	IT 50 CIV Cde Porte N&R	X 235218	IT50C4CPN
	3	IT 50 CIII Cde Porte J&R	Y 235219	IT50C3CPJ
	4	IT 50 CIV Cde Porte J&R	Z 235220	IT50C4CPJ
63A	3	IT 63 CIII Cde Porte N&R	E 235225	IT63C3CPN
	4	IT 63 CIV Cde Porte N&R	F 235226	IT63C4CPN
	3	IT 63 CIII Cde Porte J&R	G 235227	IT63C3CPJ
	4	IT 63 CIV Cde Porte J&R	H 235228	IT63C4CPJ
80A	3	IT 80 CIII Cde Porte N&R	N 235233	IT80C3CPN
	4	IT 80 CIV Cde Porte N&R	P 235234	IT80C4CPN
	3	IT 80 CIII Cde Porte J&R	Q 235235	IT80C3CPJ
	4	IT 80 CIV Cde Porte J&R	R 235236	IT80C4CPJ
125A	3	IT 125 CIII Cde Porte N&R	X 235241	IT125C3CPN
	4	IT 125 CIV Cde Porte N&R	Y 235242	IT125C4CPN
	3	IT 125 CIII Cde Porte J&R	Z 235243	IT125C3CPJ
	4	IT 125 CIV Cde Porte J&R	A 235244	IT125C4CPJ

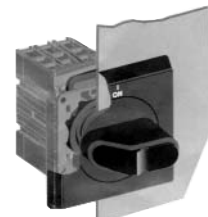
External handle : N&R = black / J&R = red and yellow

Control for on-door or side mounting - IT 32 to 63 ET

Handle for IT32 & 63ET
P209083
Q209084

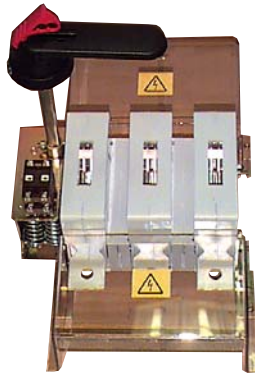
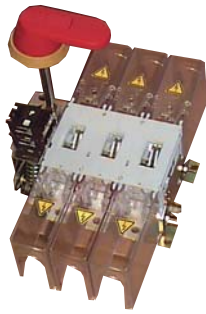


Handle for IT 32ET
P208117
Q208118





Non-fused Switches Front-handle IT 250 to 800A



CONTROL: FRONT HANDLE PADLOCKABLE IN OFF-POSITION WITH 3 PADLOCKS. SAFE AND RELIABLE INDICATION OF POSITION BY HANDLES.

INTERRUPTING: VISIBLE INTERRUPTION. AC 23 & DC 23 ON LOAD OPENING AND CLOSING.

INSULATION VOLTAGE: 1000 V.

MECANISM: SNAP CONTACTS which ensures rapid disconnection regardless of how fast the user turns the operation handle.

FIXING: ON-BOARD OR ON-FRAME FOR CUBICLE BACKGROUND.

CONSTRUCTION: COMPLYING WITH IEC AND EN60 947 1&3

PROTECTION DEGREE (WITH ACCESSORIES): IP 2X.

PROTECTION FOR ANY CLIMATE.

SILVER-PLATED COPPER ELECTRIC CONTACTS.

ISOLATING PARTITIONS MADE WITH UL 94 VO MATERIALS.

3 AND 4-POLE IN STANDARD MODELS.

6 & 8-POLE MOUNTING AS ACCESSORIES.

PRE-ISOLATING AND TERMINAL SHROUDS AS ACCESSORIES.

Main electrical characteristics

			IT 250K	IT 315K	IT 350K	IT 500K	IT 630K	IT 800K
Rated operating current at ambient	40°C	I _{th}	250	315	350	500	630	800
Rated operating current under cover	40°C	I _{the}	200	270	315	500	630	720
Rated insulation voltage (U _i)	Pollution class 3	V	1000	1000	1000	1000	1000	1000
Rated operating voltage AC-20 DC-20		V	1000	1000	1000	1000	1000	1000
Rated impulse withstand voltage		kV	12	12	12	12	12	12
RMS prospective short-circuit current with aM or gG class FerrazShawmut fuses.		kA	100	100	100	100	80	80
Fuse Rating Permissible peak let-through current		A	200	250	315	400	630	800
		kA	40	40	40	45	55	—
Rated operating current AC-21-A and AC-22-A	690 V	A	200	250	315	500	630	800
Rated operating current AC-23-A	≤ 415 V	A	200	250	315	500	630	720
	500 V		200	250	315	500	580	600
	690 V		200	250	315	350	350	350
Rated operating power AC-23 in kW with a 3-phase 1.500 rpm standard asynchronous motor at	415 V	kW	90	132	160	200	315	355
	500 V		132	160	200	315	355	400
	690 V		170	200	250	315	355	355
AC-23 interrupting rating: I _c at cos φ = 0.35) under rated operating voltage (U _e)	≤ 500 V	A	1600	2000	2520	4000	4640	4800
	690 V		1600	2000	2520	2800	2800	2800
DC-23-A rating operating current / poles in series** for	110 V	A	200/2	250/2	315/2	400/2	630/2	800/2
	220 V		200/2	250/2	315/2	400/2	630/2	630/2
	440 V		200/3	250/3	315/3	400/3	400/3	400/3
RMS permissible short duration (1s) rated current		kA	8	8	8	16	17	17
Mechanical endurance: operating cycle number (1 cycle = 1 opening + 1 closing of contacts)			8 000	8 000	8 000	5 000	5 000	5 000
Electrical endurance: operating cycle number at I _e and cos φ 0.65	500 V		1000	1000	1000	1000	1000	500
Power loss per pole		W	3,5	5,5	8,5	13	22	40
Tightening torque for terminals	mini	N.m	15	30	30	30	50	50
	maxi		22	44	44	44	75	75

** To be connected in series by user.
Distributing poles per conductor e.g. 2 poles in series.



E.g. 3 poles in series, recommended mounting for 3-pole switches.



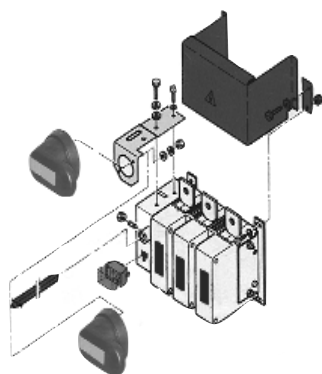


Non-fused Switches Front-handle IT 250 to 800A

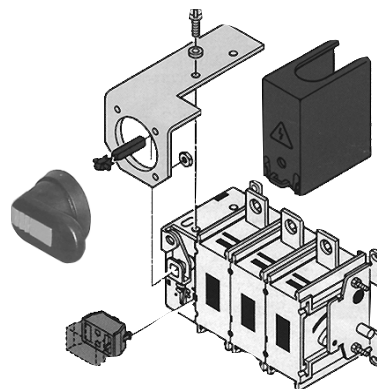
Switch-disconnectors visible interruption and accessories

Standard switches

Current rating I _{th}	Pole	Designation	Reference Number	Catalog Number
250 A	3	IT 250 K III	L 202 134	IT250S3CF
	4	IT 250 K IV	D 202 127	IT250S4CF
315 A	3	IT 315 K III	R 202 139	IT315S3CF
	4	IT 315 K IV	P 202 137	IT315S4CF
350 A	3	IT 350 K III	F 202 152	IT350S3CF
	4	IT 350 K IV	E 202 151	IT350S4CF
500 A	3	IT 500 III	M 096 450	IT500S3CF
	4	IT 500 IV	P 096 498	IT500S4CF
630 A	3	IT 630 K III	M 096 151	IT630S3CF
	4	IT 630 K IV	N 096 152	IT630S4CF
800 A	3	IT 800 K III	P 096 153	IT800S3CF
	4	IT 800 K IV	Q 096 154	IT800S4CF



IT 630



IT 250

All of the following items are supplied separately.
For additional adaptations see "Accessories"
section and order selected reference numbers.

Microswitch characteristics

Microswitch Reference Number	Minimum for safe operation	Maximum for operation in AC 12	Application
① Y 202 168 ① S 086 588 ② Z 202 169 ② L 097 300	24 V 25 mA AC / DC	690 V 2 A $\cos \varphi = 0,9$	① Single-standard microswitch ② Twin-standard microswitch
③ H 208 019	24 V 10 mA	690 V 2 A	③ Single microswitch: Aggressive environment or connection with a programmable machine
③ J 208 020	AC / DC	$\cos \varphi = 0,9$	



Non-fused Switches Front-handle IT 250 to 800A

Accessories

Reference Number

Current rating Ith	Pre-isolating microswitch Single microswitch ① 1 NO - 1 NC Twin microswitch ② 1 NO - 1 NC Low level micro. ③ 1 NO - 1 NC	Protection against live terminal touching ● One shroud per terminals ⊗ One partition upstream and one downstream	Inside ↖ or outside ▼ black handle padlockable with 3 padlocks (8 mm dia.) ▼ (Door locked when handle is ON)	Inside ↖ or outside ▼ red and yellow handle padlockable with 3 padlocks (Ø 8 mm) ▼ (Door locked when handle is ON)	↖ Adaptation part for inside control handle (accessory)	Long shaft without handle for outside control
250 A	① Y 202 168 ② Z 202 169 ③ H 208 019	● A 202 170	S 209914 Supplied with a 140 mm shaft	T 209915 Supplied with a 140 mm shaft	X 202 167	W 202 166 240 mm shaft
315 A			↖ (for inside handle order control adaptation)	↖ (for inside handle order control adaptation)		D 210 108 500 mm shaft
350 A						
500 A III VI	① S 086 588 ② L 097 300 ③ J 208 020	⊗ Q 096 499 ⊗ Z 096 507	Q 209912 Supplied with a 250 mm shaft	R 209913 Supplied with a 250 mm shaft	C 092 600	L 097 093 395 mm shaft
630 A III VI		⊗ F 080 137 ⊗ E 080 136	↖ (for inside handle order control adaptation)	↖ (for inside handle order control adaptation)		P 092 979 465 mm shaft
800 A III VI		⊗ G 080 138 ⊗ D 080 135				

Catalog Number

Current rating Ith	Pre-isolating microswitch Single microswitch ① 1 NO - 1 NC Twin microswitch ② 1 NO - 1 NC Low level micro. ③ 1 NO - 1 NC	Protection against live terminal touching ● One shroud per terminals ⊗ One partition upstream and one downstream	Inside ↖ or outside ▼ black handle padlockable with 3 padlocks (8 mm dia.) ▼ (Door locked when handle is ON)	Inside ↖ or outside ▼ red and yellow handle padlockable with 3 padlocks (Ø 8 mm) ▼ (Door locked when handle is ON)	↖ Adaptation part for inside control handle (accessory)	Long shaft without handle for outside control
250 A	① FOIT250NO/NC ② FOIT2502NO/NC ③ FOIT250/350AU	● CBIT250/350	PERNIT250/350 Supplied with a 140 mm shaft	PERJIT250/350 Supplied with a 140 mm shaft	APIIT250/350	A240IT250/350 240 mm shaft
315 A			↖ (for inside handle order control adaptation)	↖ (for inside handle order control adaptation)		A500IT250/350 500 mm shaft
350 A						
500 A III VI	① FOIT500NO/NC ② FOIT5002NO/NC ③ FOIT5002NONCBN	⊗ CBIT5003 ⊗ CBIT5004	PERNIT500/1600 Supplied with a 250 mm shaft	PERJIT500/1600 Supplied with a 250 mm shaft	APIIT500/800	A395IT500ITC250 395 mm shaft
630 A III VI		⊗ CBIT6303 ⊗ CBIT6304	↖ (for inside handle order control adaptation)	↖ (for inside handle order control adaptation)		A465IT500/ITC250 465 mm shaft
800 A III VI		⊗ CBIT8003 ⊗ CBIT8004				



Non-fused Switches Front-handle IT 250 to 800A

Ready to install complete switch

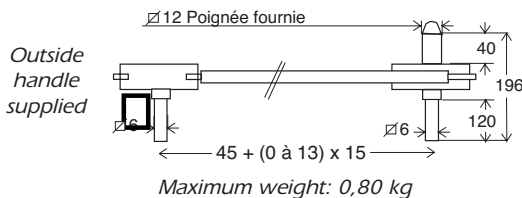
Switch with direct handle + external handle + auxiliary contact
(2 NO + 2 NC) + protection against live terminal touching

Current rating Ith	Poles	Designation	Reference Number	Catalog Number
250A	3	IT 250 CIII Cde Front N&R	F 235249	IT250C3CFN
	4	IT 250 CIV Cde Front N&R	G 235250	IT250C4CFN
	3	IT 250 CIII Cde Front J&R	H 235251	IT250C3CFJ
	4	IT 250 CIV Cde Front J&R	J 235252	IT250C4CFJ
315A	3	IT 315 CIII Cde Front N&R	P 235257	IT315C3CFN
	4	IT 315 CIV Cde Front N&R	Q 235258	IT315C4CFN
	3	IT 315 CIII Cde Front J&R	R 235259	IT315C3CFJ
	4	IT 315 CIV Cde Front J&R	S 235260	IT315C4CFJ
350A	3	IT 350 CIII Cde Front N&R	Y 235265	IT350C3CFN
	4	IT 350 CIV Cde Front N&R	Z 235266	IT350C4CFN
	3	IT 350 CIII Cde Front J&R	A 235267	IT350C3CFJ
	4	IT 350 CIV Cde Front J&R	B 235268	IT350C4CFJ
500A	3	IT 500 CIII Cde Front N&R	G 235273	IT500C3CFN
	4	IT 500 CIV Cde Front N&R	H 235274	IT500C4CFN
	3	IT 500 CIII Cde Front J&R	J 235275	IT500C3CFJ
	4	IT 500 CIV Cde Front J&R	K 235276	IT500C4CFJ
630A	3	IT 630 CIII Cde Front N&R	N 235279	IT630C3CFN
	4	IT 630 CIV Cde Front N&R	P 235280	IT630C4CFN
	3	IT 630 CIII Cde Front J&R	Q 235281	IT630C3CFJ
	4	IT 630 CIV Cde Front J&R	R 235282	IT630C4CFJ
800A	3	IT 800 CIII Cde Front N&R	V 235285	IT800C3CFN
	4	IT 800 CIV Cde Front N&R	W 235286	IT800C4CFN
	3	IT 800 CIII Cde Front J&R	X 235287	IT800C3CFJ
	4	IT 800 CIV Cde Front J&R	Y 235288	IT800C4CFJ

External handle : N&R = black / J&R = red and yellow

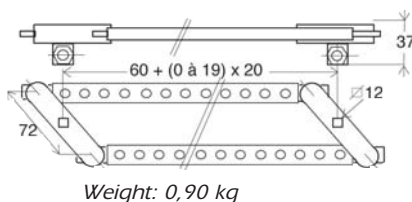
Accessories for outside control

VI and VIII-pole system: for IT 250 K to 350 K
Ref N°: B202171 - Cat. N°: ADAIT250/350

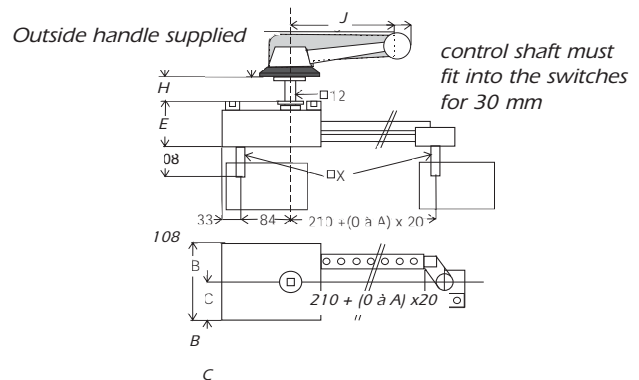


VI and VIII-pole: for IT 500 K to 800 K
Ref N°: P097119 - Cat N°: ADAIT500/1600

To order with outside handle and an additional shaft



Reverse system 1-0-2: for IT250 K to 350 K
for IT 500 K to 800 K



Reference Number	Switch model	A	B	C	D	E	H	J	X	Weight (kg)	Catalog Number
C 202 172	IT 250 to 350 K	11	83	34	61	53	8 à 15	145	8	2,75	INVT250/350
B 092 599	IT 500 to 800 K	18	90	40	100	63	16 à 23	220	12	4,60	INVT500/1600

C 202 172 plastic handle. B 092 599 metal handle.

NOTE: Weights given without accessories. Tightening torques of switches depend on quality of bolts.

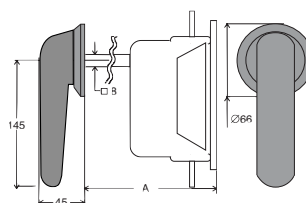


Non-fused Switches Front-handle IT 250 to 800A

Control handles dimensions Inside padlockable side

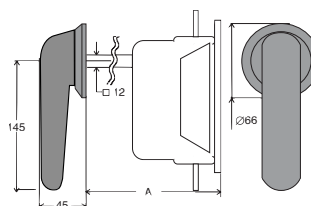
Handle Ref. number	Color	Switch model	A: mounting depth	A: with long shaft	A: with long shaft
S 209 914	Black	IT 250 K	120 mm	W 202 166*	D210108*
T 209 915	Red	IT 315 K IT 350 K	to 200 mm	220 to 300 mm	480 to 560 mm

*Only long shaft. Must be ordered with handle. Weight: 0,25 kg.



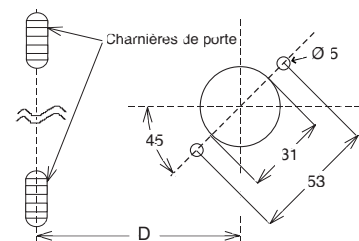
Handle Ref. number	Color	Switch model	A: mounting depth	A: with long shaft	A: with long shaft
Q 209912	Black	IT 500 K	230	L 097 093*	P092979*
R209913	Red	IT 630 K IT 800 K	to 320 mm	375 to 460 mm	445 to 540 mm

*Only long shaft. Must be ordered with handle. Weight: 0,25 kg.



Drilling for outside handles

Handle Ref. number	D: minimal distance between door hinges shaft and handle shaft	Catalog Number
S 209914	150 mm	PERNIT250/350
T 209915		PERJIT250/350
Q 209912	80 mm	PERNIT500/1600
R 209913		PERJIT500/1600



Shroud for protection against live part touching

Terminal Shroud Ref.number	Switch model	A	B	C	Weight	Figure	Catalog Number
A202170	IT 250K IT 315K IT 350K	92,5	105	44	70 g	1	CBIT250/3503
Q 096499	IT 500K III	125	120	175	250 g	2	CBIT5004
Z 096507	IT 500K IV	125	120	221	300 g	2	CBIT5004
F 080137	IT 630K III	125	120	207	260 g	2	CBIT6303
E 080136	IT 630K IV	125	120	269	310 g	2	CBIT6304
G 080138	IT 800K III	125	120	223	270 g	2	CBIT8003
D 080135	IT 800K IV	125	120	293	320 g	2	CBIT8004

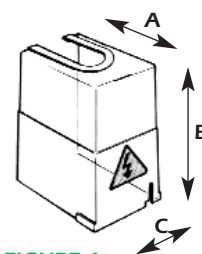


FIGURE 1

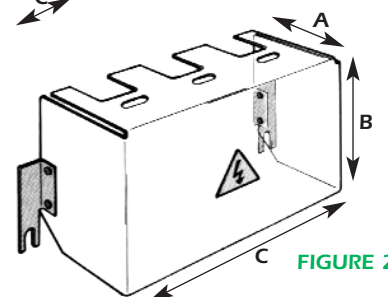


FIGURE 2



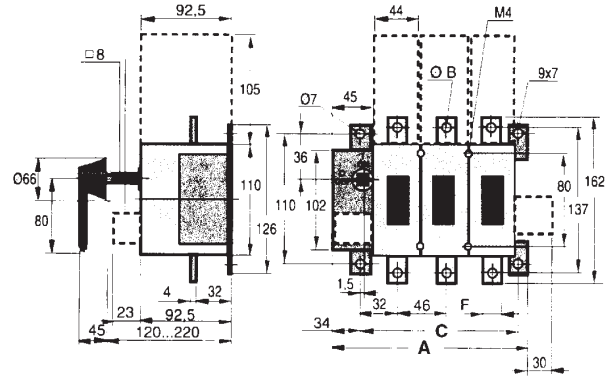
Non-fused Switches Front-handle IT 250 to 800A

Dimensions and weight

IT 250 K - 315 K - 350 K

Pole	IT 250 K		IT 315 K		IT 350 K	
	III	IV	III	IV	III	IV
A (mm)	199	245	199	245	199	245
Ø B (mm)	9	9	11	11	11	11
C (mm)	157	203	157	203	157	203
F (mm)	20	20	25	25	25	25
Weight (kg)	3	3,7	3	3,7	3	3,7

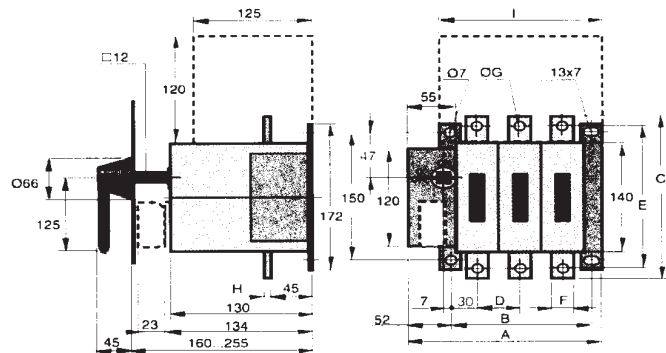
Terminal tightening torque: M8 bolt 15 N.m to 22 N.m
M10 bolt 30 N.m to 44 N.m
Tightening torques for switches: M6 screw 6 N.m to 10 N.m



IT 500 K - 630 K - 800 K

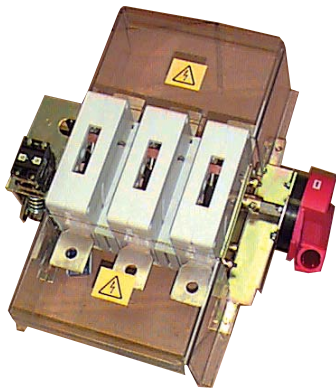
Pole	IT 500 K		IT 630 K		IT 800 K	
	III	IV	III	IV	III	IV
A (mm)	216	262	248	310	264	334
B (mm)	153	199	185	247	201	271
C (mm)	205	205	223	223	223	223
D (mm)	46	46	62	62	70	70
E (mm)	180	180	185	185	185	185
F (mm)	25	25	40	40	40	40
Ø G (mm)	11	11	13,5	13,5	13,5	13,5
H (mm)	4	4	5	5	5	5
I (mm)	175	221	207	269	223	293
Weight (kg)	5,2	6,4	6,2	7,6	6,2	7,6

Terminal tightening torque: M10 bolt 30 N.m to 44 N.m
M12 bolt 50 N.m to 75 N.m
Tightening torques for switches: M6 screw 6 N.m to 10 N.m





Non-fused Switches Side-handle IT 250 to 800A



**Switch-disconnectors
visible interruption
IT 250A to 800A
Side-operated switches**

- CONTROL: SIDE-HANDLE PADLOCKABLE IN OFF-POSITION WITH 3 PADLOCKS SAFE AND RELIABLE INDICATION OF POSITION BY HANDLES.
- INTERRUPTING: VISIBLE INTERRUPTION.AC 23 & DC 23 ON LOAD OPENING AND CLOSING.
- INSULATION VOLTAGE: 1000 V.
- MECANISM: SNAP CONTACTS which ensures rapid disconnection regardless of how fast the user turns the operation handle.
- FIXING: ON-BOARD OR ON-FRAME FOR CUBICLE BACKGROUND.
- CONSTRUCTION: COMPLYING WITH IEC 947 1&3 AND EN 60 947.- 1 AND - 3
- PROTECTION DEGREE (WITH ACCESSORIES): IP 2X.
- PROTECTION FOR ANY CLIMATE.
- SILVER-PLATED COPPER ELECTRIC CONTACTS.
- ISOLATING PARTITIONS MADE WITH UL 94 VO MATERIALS.
- 3 AND 4-POLE IN STANDARD.
- 6 & 8-POLE MOUNTING AS ACCESSORIES.

Main electrical characteristics

Code			IT 250A	IT 315A	IT 350A	IT 500A	IT 630A	IT 800A
Rated operational current at ambient	40°C	Ith	250	315	350	500	630	800
	40°C	Ithe	200	270	315	500	630	720
Rated insulation voltage (Ui).	Pollution class 3	V	1000	1000	1000	1000	1000	1000
Rated operational voltage AC-20 DC-20	Rated impulse without voltage	V	1000	1000	1000	1000	1000	1000
		kV	12	12	12	12	12	12
RMS Prospective short-circuit current with aM or gG class FerrazSchawmut fuses fuse rating Permissible peak let-through current		kA	100	100	100	100	80	80
		A	200	250	315	400	630	800
		kA	40	40	40	45	55	—
Rated operating current AC-21-A / AC-22-A	690 V	A	200	250	315	500	630	800
Rated operating current AC-23-A	≤ 415 V	A	200	250	315	500	630	720
	500 V		200	250	315	500	580	600
	690 V		200	250	315	350	350	350
Rated operating power AC-23 (kW) with a 3-phase 1.500 rpm standard asynchronous motor at	415 V	kW	90	132	160	200	315	355
	500 V		132	160	200	315	355	400
	690 V		170	200	250	315	355	355
AC-23 Interrupting rating : I _c A at cos φ = 0.35 under rated operating voltage (U _e)	≤ 500 V	A	1600	2000	2520	4000	4640	4800
	690 V		1600	2000	2520	2800	2800	2800
DC-23-A rating operating current / poles in series** for	110 V	A	200/2	250/2	315/2	400/2	630/2	800/2
	220 V		200/2	250/2	315/2	400/2	630/2	630/2
	440 V		200/3	250/3	315/3	400/3	400/3	400/3
RMS permissible short duration (1s) rated current		kA	8	8	8	16	17	17
Mechanical endurance : operation cycles number (1 cycle = 1 opening + 1 closing of contacts)			8 000	8 000	8 000	5 000	5 000	5 000
Electrical endurance : operation cycles number at I _e and cos φ 0.65	500 V		1000	1000	1000	1000	1000	500
Power loss per pole		W	3,5	5,5	8,5	13	22	40
Tightening torque for terminals	mini	N.m	15	30	30	30	50	50
	maxi		22	44	44	44	75	75

** To be connected in series by user
Distributing poles per conductor e.g. 2 poles in series



E.g. 3 poles in series, advised mounting for 3-pole switches





Non-fused Switches Side-handle IT 250 to 800A

Standard switches

The following items are supplied separately.
For additional adaptations refer to the Accessories section and order selected reference numbers.

Current rating Ith	Pole	Designation	Reference Number	Catalog Number
250 A	3	IT 250 KM III	M 210070	IT250S3CL
	4	IT 250 KM IV	N 210071	IT250S4CL
315 A	3	IT 315 KM III	P 210072	IT315S3CL
	4	IT 315 KM IV	Q 210073	IT315S4CL
350 A	3	IT 350 KM III	R 210074	IT350S3CL
	4	IT 350 KM IV	S 210075	IT350S4CL
500 A	3	IT 500 KM III	T 210076	IT500S3CL
	4	T 500 KM IV	V 210077	IT500S4CL
630 A	3	IT 630 KM III	W 210078	IT630S3CL
	4	IT 630 KM IV	X 210079	IT630S4CL
800 A	3	IT 800 KM III	Y 210080	IT800S3CL
	4	IT 800 KM IV	Z 210081	IT800S4CL

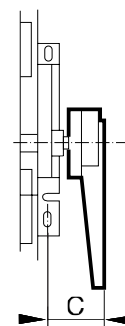
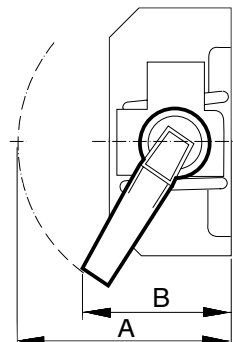
Microswitch characteristics

Reference Number	Minimum for safe operation	Maximum for operation in AC 12	Application	Catalog Number
Y202168 S086588 Z202169 L097300	24 V 25 mA AC / DC	690 V 2 A cos φ = 0,9	Single-standard microswitch Twin-standard microswitch	FOIT250NO/NC FOIT500NO/NC FOIT2502NO/NC FOIT5002NO/NC
H208019 J208020	24 V 10 mA AC / DC	690 V 2 A cos φ = 0,9	Single microswitch. Aggressive atmosphere or connection with a programmable machine	FOIT250/350AU FOIT5002NONCBN

Control handles dimensions

Insulating, padlockable inside or outside

Reference Number	Switch Model	A	B	C	D	E	Weight (kg)	Catalog number
T090936	IT 500KM	203	178	100	30	90	1,2	PILRIT500ITC250
	IT 630KM							
	IT 800KM							





Non-fused Switches Side-handle IT 250 to 800A

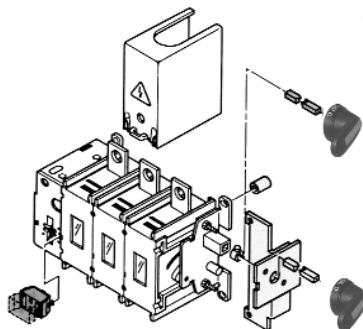
Accessories

Reference Number

Current rating	Pre-isolating microswitch Single microswitch ③ 1 NO - 1 NC Twin microswitch ⑤ 1 NO - 1 NC Low level micro. ⑥ 1 NO - 1 NC	Protection against live terminal touching *One shroud per terminals (figure 1) ▪One partition upstream and one downstream (figure 2)	Inside padlockable (red handle) (3 padlocks)	Outside padlockable (3 padlocks) ① black handle ② red and yellow handle ③ red handle
250 A 315 A 350 A	③ Y 202 168 ⑤ Z 202 169 ⑥ H 208 019	* A 202 170	Not available see front handle Switches	① H 210066 ② J 210067
500 A III IV	③ S 086 588 ⑤ L 097 300 ⑥ J 208 020	▪ Q 096 499 ▪ Z 096 507	T 090936	③ Y 090940
630 A III IV		▪ F 080 137 ▪ E 080 136		
800 A III IV		▪ G 080 138 ▪ D 080 135		

Catalog Number

Current rating	Pre-isolating microswitch Single microswitch ③ 1 NO - 1 NC Twin microswitch ⑤ 1 NO - 1 NC Low level micro. ⑥ 1 NO - 1 NC	Protection against live terminal touching *One shroud per terminals (figure 1) ▪One partition upstream and one downstream (figure 2)	Inside padlockable (red handle) (3 padlocks)	Outside padlockable (3 padlocks) ① black handle ② red and yellow handle ③ red handle
250 A 315 A 350 A	③ FOIT250NO/NC ⑤ FOIT2502NO/NC ⑥ FOIT250/350AU	* CBIT250/350	Not available see front handle Switches	① PELNIT250/350 ② PELRJIT250/350
500 A III IV	③ FOIT500NO/NC ⑤ FOIT5002NO/NC ⑥ FOIT5002NONCBN	▪ CBIT5003 ▪ CBIT5004	PILRIT500ITC250	③ PELRIT500ITC250
630 A III IV		▪ CBIT6303 ▪ CBIT6304		
800 A III IV		▪ CBIT8003 ▪ CBIT8004		





Non-fused Switches Side-handle IT 250 to 800A

Ready to install complete switch

Switch with direct handle + external handle + auxiliary contact (2 NO + 2 NC)
+ protection against Live Terminal Touching

Current rating Ith	Poles	Designation	Reference Number	Catalog Number
250A	3	IT 250 CIII Cde Later N&R	K 235253	IT250C3CLN
	4	IT 250 CIV Cde Later N&R	L 235254	IT250C4CLN
	3	IT 250 CIII Cde Later J&R	M 235255	IT250C3CLJ
	4	IT 250 CIV Cde Later J&R	N 235256	IT250C4CLJ
315A	3	IT 315 CIII Cde Later N&R	T 235261	IT315C3CLN
	4	IT 315 CIV Cde Later N&R	V 235262	IT315C4CLN
	3	IT 315 CIII Cde Later J&R	W 235263	IT315C3CLJ
	4	IT 315 CIV Cde Later J&R	X 235264	IT315C4CLJ
350A	3	IT 350 CIII Cde Later N&R	C 235269	IT350C3CLN
	4	IT 350 CIV Cde Later N&R	D 235270	IT350C4CLN
	3	IT 350 CIII Cde Later J&R	E 235271	IT350C3CLJ
	4	IT 350 CIV Cde Later J&R	F 235272	IT350C4CLJ
500A	3	IT 500 CIII Cde Later N&R	L 235277	IT500C3CLN
	4	IT 500 CIV Cde Later N&R	M 235278	IT500C4CLN
630A	3	IT 630 CIII Cde Later N&R	S 235283	IT630C3CLN
	4	IT 630 CIV Cde Later N&R	T 235284	IT630C4CLN
800A	3	IT 800 CIII Cde Later N&R	Z 235289	IT800C3CLN
	4	IT 800 CIV Cde Later N&R	A 235290	IT800C4CLN

External handle : N&R = black / J&R = red and yellow

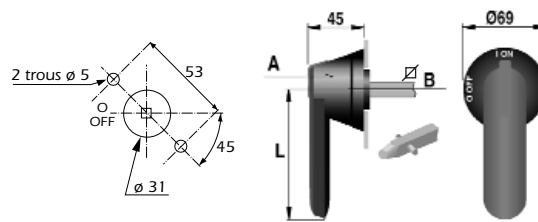


Non-fused Switches Side-handle IT 250 to 800A

Control handles dimensions

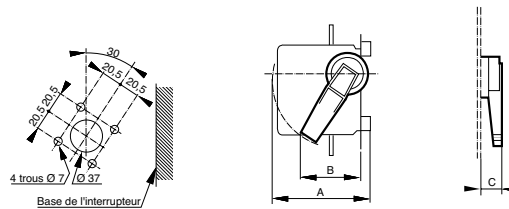
Handle Ref. Number	Switch Model	∅ B	L	IP	Weight (kg)
H 210066 or J 210067	IT 250KM IT 315KM IT 350KM	8	80	65	0,3 kg

Distance between switch-disconnector and handle: 25 to 96 mm



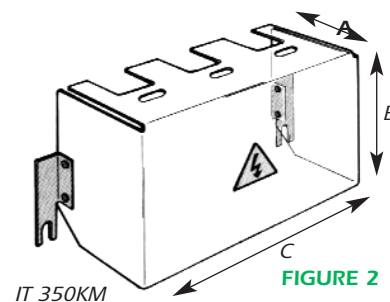
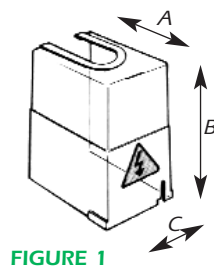
Handle Ref. Number	Switch Model	A	B	C	D	Weight (kg)
Y 090940	IT 500KM	203	178	55	30	0,75

Distance between switch-disconnector and handle: 45 to 120 mm



Protection against live terminal touching: dimensions

Reference Number	Switch Model	A	B	C	Weight (kg)	Figure
A202170	IT 250KM	92,5	105	44	70 g	1
	IT 315KM					
	IT 350KM					
Q 096499	IT 500KM III	125	120	175	250 g	2
Z 096507	IT 500KM IV	125	120	221	300 g	2
F 080137	IT 630KM III	125	120	207	260 g	2
E 080136	IT 630KM IV	125	120	269	310 g	2
G 080138	IT 800KM III	125	120	223	270 g	2
D 080135	IT 800KM IV	125	120	293	320 g	2



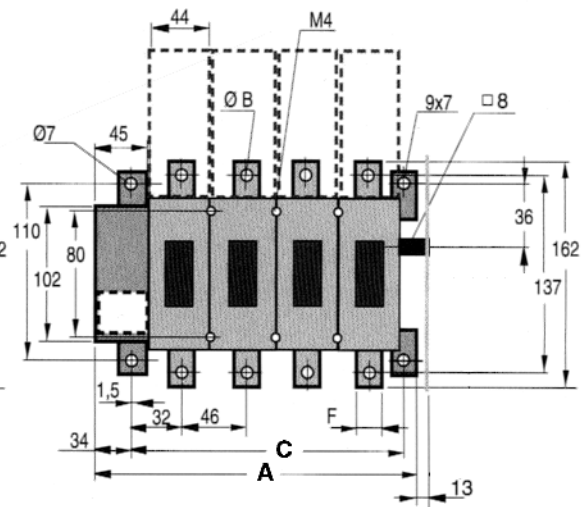
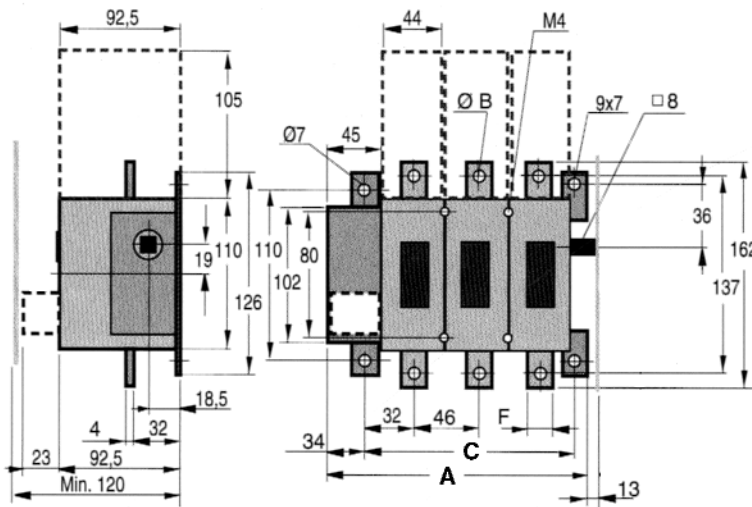


Non-fused Switches Side-handle IT 250 to 800A

IT 250 to 350 Dimensions and weight

- Connection: range 25 mm and 20 mm
with bolt M10 tightening torque 30 to 40 Nm.
Tightening torque for switches: M6 screw 6 N.m to 10 N.m

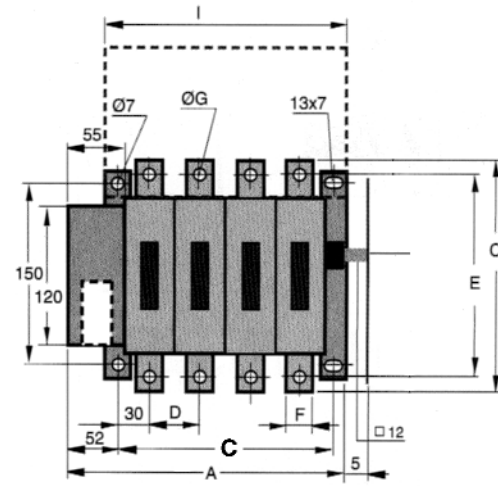
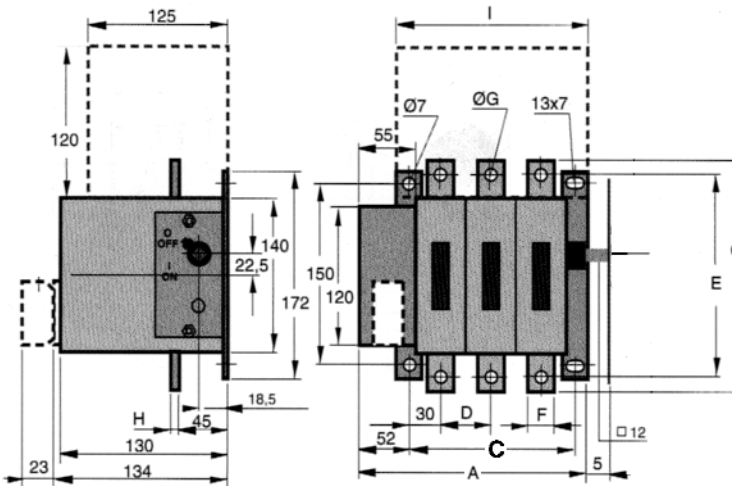
Pole	IT 250 KM		IT 315 KM		IT 350 KM	
	III	IV	III	IV	III	IV
A (mm)	199	245	199	245	199	245
Ø B (mm)	9	9	11	11	11	11
C (mm)	157	203	157	203	157	203
F (mm)	20	20	25	25	25	25
Weight (kg)	3	3,7	3	3,7	3	3,7



IT 500 to 800 Dimensions and weight

- Connection: range 25 mm
with M10 bolt and tightening torque 30 to 40 Nm.
- Connection: range 40 mm
with M12 bolt and tightening torque 50 to 75 Nm.
Tightening torque for switches: M6 screw 6.N.m to 10 N.m

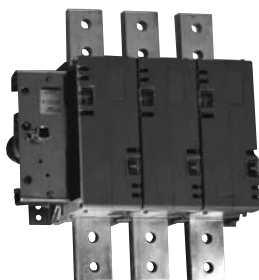
Pole	IT 500 KM		IT 630 KM		IT 800 KM	
	III	IV	III	IV	III	IV
A (mm)	216	262	248	310	264	334
B (mm)	153	199	185	247	201	271
C (mm)	205	205	223	223	223	223
D (mm)	46	46	62	62	70	70
E (mm)	180	180	185	185	185	185
F (mm)	25	25	40	40	40	40
Ø G (mm)	11	11	13,5	13,5	13,5	13,5
H (mm)	4	4	5	5	5	5
I (mm)	175	221	207	269	223	293
Weight (kg)	5,2	6,4	6,2	7,6	6,2	7,6



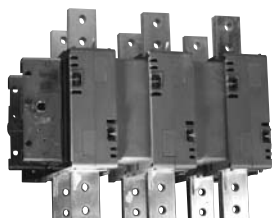
NOTE: Weights without accessories; tightening torques of switches depend on quality of bolts.



Non-fused Switches Front-handle IT 1000 to 3150A



IT 1250



IT 2500

SWITCH-DISCONNECTORS INDICATED INTERRUPTION IT 1000 to 3150 A Front-operated switches

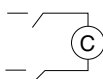
- DUAL-INDICATED INTERRUPTION
- POSITIVE FRONT CONTROL
- SNAP CONTACTS which ensures rapid disconnection regardless of how fast the user turns the operation handle.
- SILVER-PLATED COPPER ELECTRIC CONTACTS PROTECTION FOR ALL CLIMATES: ISOLATING PARTITIONS MADE WITH VO UL 94 MATERIALS
- COMPLIANCE WITH IEC 947-1 AND 3, NF C60 947
- HIGH-PERFORMANCE INTERRUPTING RATING (AC23 AND DC23 CLASSES)
- 3- AND 4-POLE MODELS STANDARD
- FOR OTHER RATINGS, REFER TO OUR TECHNICAL DATA SHEETS

Main electrical characteristics

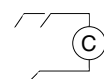
		IT 1000K	IT 1250K	IT 1600K	IT 2500K	IT 3150K
Rated operational current at ambient	Ith	1000	1250	1600	2500	3150
Rated operational current under cover	Ithe	1000	1250	1600	2300	2600
Rated operational voltage AC-20 DC-20	V	1 000	1 000	1 000	1 000	1 000
Rated insulation voltage (Ui)	V	1 000	1 000	1 000	1 000	1 000
Rated impulse withstand voltage	kV	8	8	8	8	8
RMS prospective short-circuit current with aM or gG class FerrazSchawmut fuses	kA	50	50	—	—	—
Fuse Rating	A	800	1000	—	—	—
Permissible peak let-through current	kA	—	—	—	—	—
Rating operating current:						
AC-21-A	690V	1000	1250	1600	2500 +	3150 +
AC-22-A	≤500V	1000	1250	1600	1600 +	1600 +
AC-23-A	≤500V	800	800	800	800 +	800 +
Rated operating power AC -23 in kW	415V	400	400	400	400	400
with a 3-phase 1.500 rpm standard asynchronous motor at	500V	450	450	450	450	450
	690V	—	—	—	—	—
AC-23 interrupting rating: I _c A at cosφ = 0.35 under rated operating voltage (U _e)	≤500 V	6400	6400	6400	6400	6400
	690V	2500 ⊕	2500 ⊕	2500 ⊕	4800 *	4800 *
DC-23-A rating operating current / poles in series** for	110 V	Consult us				
	220 V					
	440 V					
RMS permissible short duration (1.5) rated current	kA	33	33	33	37	37
Mechanical endurance: operation cycles number (1 cycle = 1 opening + 1 closing of contacts)		5 000	5 000	5 000	3 000	3 000
Electrical endurance : operation cycles number at I _e and cosφ 0.65	500 V	500	500	500	100 +	100 +
Power loss per pole	en W	27	40	67	90	140
Tightening torque for terminals	mini	50	50	50	50	50
	maxi	75	75	75	75	75

⊕ cosφ = 0,95 * cosφ = 0,65 + use in class B

** To be connected in series by user. Distributing poles per conductor e.g. in series.



E.g. 3 poles in series. Connection recommended.



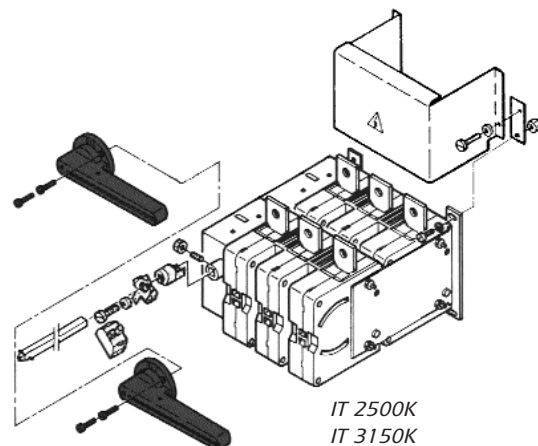
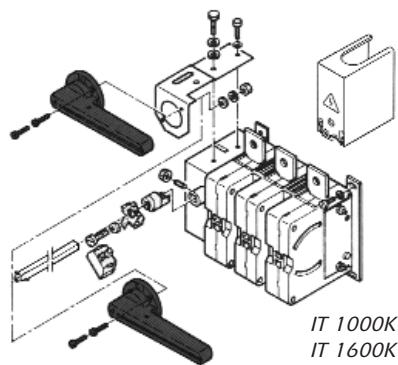


Non-fused Switches Front-handle IT 1000 to 3150A

Standard switches

Microswitch, protection, handle and shaft must be ordered separately - See Accessories section

Current rating I _{th}	Pole	Designation	Reference Number	Catalog Number
1000 A	3	IT 1000 K III	B 081559	IT1000S3CF
	4	IT 1000 K IV	C 081560	IT1000S4CF
1250 A	3	IT 1250 K III	T 096157	IT1250S3CF
	4	IT 1250 K IV	V 096158	IT1250S4CF
1600 A	3	IT 1600 K III	R 096155	IT1600S3CF
	4	IT 1600 K IV	S 096 156	IT1600S4CF
2500 A	3	IT 2500 K III	J 081681	IT2500S3CF
	4	IT 2500 K IV	H 081680	IT2500S4CF
3150 A	3	IT 3150 K III	B 202148	IT3150S3CF
	4	IT 3150 K IV	A 202147	IT3150S4CF





Non-fused Switches Front-handle IT 1000 to 3150A

Accessories

Reference Number

Current rating	Pre-isolating microswitch Single microswitch ① 1 NO - 1 NC Twin microswitch ② 1 NO - 1 NC Low level micro. ③ 1 NO - 1 NC	Protection against live terminal touching ● One shroud per terminals ⊗ One partition upstream and one downstream	Inside ↖ or outside ▼ black handle padlockable with 3 padlocks (Ø 8 mm) ▼ (Door locked when handle is ON)	Inside ↖ or outside ▼ red and yellow handle padlockable with 3 padlocks Ø ≤ 8 mm ▼ (Door locked when handle is ON)	⚡ Obligatory inside control adaptation for inside control	Long shaft without handle for outside control	
1000 A	① S086588 ② L097300 ③ J208020	● S095880	Q209912 or Y210678 Supplied with a 250 mm shaft	R209913 or Z210679 Supplied with a 250 mm shaft	R092084	L097093 395 mm shaft	
1250 A			● S095880	⚡ (for inside control order control adaptation)			⚡ (for inside control order control adaptation)
1600 A							
2500 A III IV		* L099554 * K099553	Y210678	F099549(*) (*red handle)	-	P092979 465 mm shaft	
3150 A III IV		* L099554 * K099553					

Catalog Number

Current rating	Pre-isolating microswitch Single microswitch ① 1 NO - 1 NC Twin microswitch ② 1 NO - 1 NC Low level micro. ③ 1 NO - 1 NC	Protection against live terminal touching ● One shroud per terminals ⊗ One partition upstream and one downstream	Inside ↖ or outside ▼ red and yellow handle padlockable with 3 padlocks (Ø 8 mm) ▼ (Door locked when handle is ON)	Inside ↖ or outside ▼ red handle padlockable with 3 padlocks Ø ≤ 8 mm ▼ (Door locked when handle is ON)	⚡ Obligatory inside control adaptation for inside control	Long shaft without handle for outside control	
1000 A	① FOIT500NO/NC ② FOIT5002NO/NC ③ FOIT5002NONCBN	● CBIT1000/1600	PERNIT500/1600 or PERNIT2500/3150 Supplied with a 250 mm shaft	PERJIT500/1600 or PERJIT2500/3150 Supplied with a 250 mm shaft	APIIT1000/1600	A395IT500ITC250 395 mm shaft	
1250 A			● CBIT1000/1600	⚡ (for inside control order control adaptation) outside only			⚡ (for inside control order control adaptation)
1600 A							
2500 A III IV		* EIT31503 * EIT31504				A465IT500ITC250 465 mm shaft	
3150 A III IV		* EIT31503 * EIT31504		PERNIT2500/3150	or PEDT2500/3150 Red handle	-	



Non-fused Switches Front-handle IT 1000 to 3150A

Ready to install complete switch

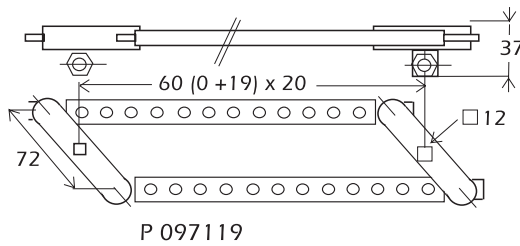
SWITCH WITH DIRECT HANDLE + EXTERNAL HANDLE + AUXILIARY CONTACT (2 NO + NC) + PROTECTION AGAINST LIVE TERMINAL TOUCHING

Current rating Ith	Poles	Designation	Reference Number	Catalog Number
1000A	3	IT 1000 CIII Cde Front N&R	B 235291	IT1000C3CFN
	4	IT 1000 CIV Cde Front N&R	C 235292	IT1000C4CFN
	3	IT 1000 CIII Cde Front J&R	D 235293	IT1000C3CFJ
	4	IT 1000 CIV Cde Front J&R	E 235294	IT1000C4CFJ
1250A	3	IT 1250 CIII Cde Front N&R	F 235295	IT1250C3CFN
	4	IT 1250 CIV Cde Front N&R	G 235296	IT1250C4CFN
	3	IT 1250 CIII Cde Front J&R	H 235297	IT1250C3CFJ
	4	IT 1250 CIV Cde Front J&R	J 235298	IT1250C4CFJ
1600A	3	IT 1600 CIII Cde Front N&R	K 235299	IT1600C3CFN
	4	IT 1600 CIV Cde Front N&R	L 235300	IT1600C4CFN
	3	IT 1600 CIII Cde Front J&R	M 235301	IT1600C3CFJ
	4	IT 1600 CIV Cde Front J&R	N 235302	IT1600C4CFJ
2500A	3	IT 2500 CIII Cde Front N&R	P 235303	IT2500C3CFN
	4	IT 2500 CIV Cde Front N&R	Q 235304	IT2500C4CFN
	3	IT 2500 CIII Cde Front J&R	R 235305	IT2500C3CFJ
	4	IT 2500 CIV Cde Front J&R	S 235306	IT2500C4CFJ
3150A	3	IT 3150 CIII Cde Front N&R	T 235307	IT3150C3CFN
	4	IT 3150 CIV Cde Front N&R	V 235308	IT3150C4CFN
	3	IT 3150 CIII Cde Front J&R	W 235309	IT3150C3CFJ
	4	IT 3150 CIV Cde Front J&R	X 235310	IT3150C4CFJ

External handle : N&R = black / J&R = red and yellow

Accessories for outside control

VI and VIII pole system for IT 1000 to 1600 K

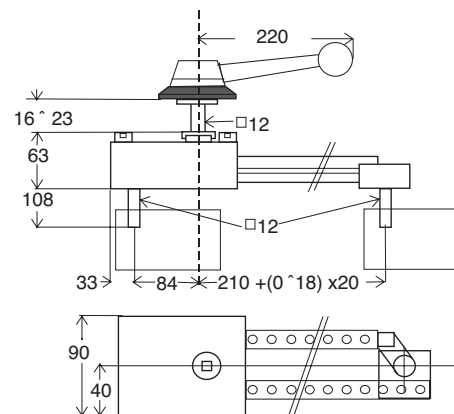


Handle (F099549) and additional shaft (L097093 or P092979) must be ordered separately.

HANDLE SUPPLIED

Reference Number	Switch Model	Weight	Catalog Number
P097119	IT 1000 to 1600 K	1 kg	ADAIT500/600

Reversing system 1-0-2 for IT 1000 to 1600K



HANDLE SUPPLIED

Reference Number	Switch Model	Weight	Catalog Number
B092599	IT 1000 to 1600 K	4,50kg	INVIT500/1600

NOTE: Weights without accessories; tightening torques of switches depend on quality of bolts.



Non-fused Switches Front-handle IT 1000 to 3150A

Dimensions and weight

IT 1000K - 1250 K - 1600 K

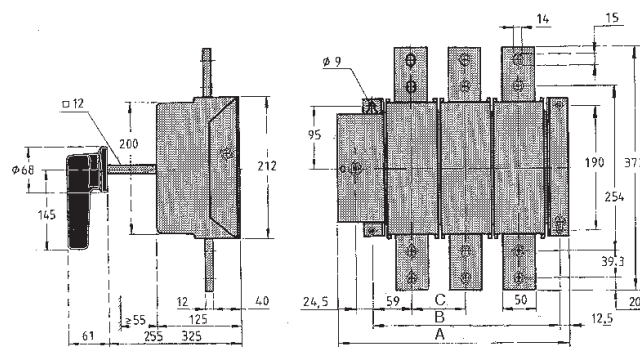
Pole	IT 1000 K		IT 1200 K		IT 1600 K	
	III	IV	III	IV	III	IV
A (mm)	343	423	343	423	363	453
B (mm)	278	358	278	358	298	388
C (mm)	80	80	80	80	90	90
d (mm)	80	80	80	80	90	90
Weight (kg)	16,3	20,5	16,3	20,5	17,5	22,5

Terminal tightening torque:

M12 bolt 50 N.m to 75 N.m

Tightening torque for switches:

M8 screw 11 N.m to 22 N.m



IT 2500K - 3150 K

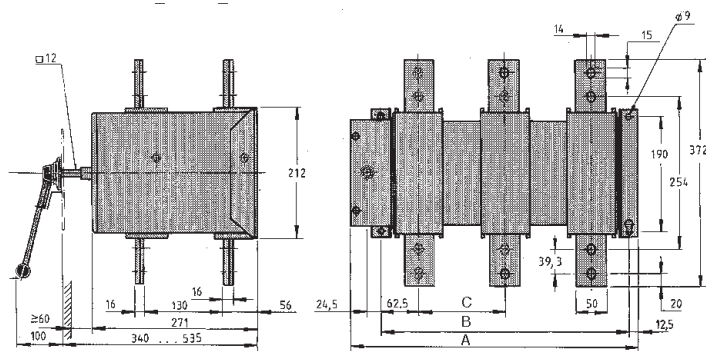
Pole	IT 2500 K		IT 3150 K	
	III	IV	III	IV
A (mm)	468	607	468	607
B (mm)	403	542	403	542
C (mm)	139	139	139	139
Weight (kg)	37	47	37	47

Terminal tightening torque:

M12 bolt 50 N.m to 75 N.m

Tightening torque for switches:

M8 screw 11 N.m to 22 N.m



Microswitch characteristics

Reference Number	Minimum for safe operation	Maximum for operation in AC 12	Application
① S 086 588 ② L 097 300	24 V 25 mA AC / DC	690 V 2 A cos φ = 0,9	Single-standard microswitch Twin-standard microswitch
③ J 208 020	24 V 10 mA AC / DC	690 V 2 A cos φ = 0,9	Single microswitch. Agressive atmosphere or connection with a programmable machine

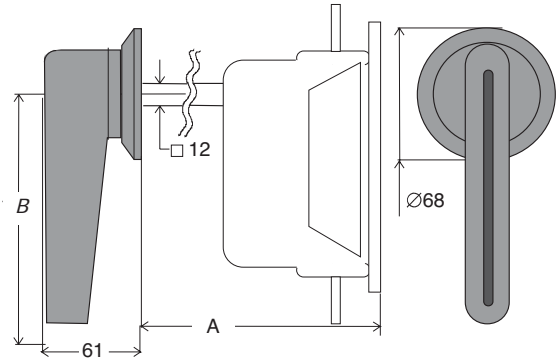


Non-fused Switches Front-handle IT 1000 to 3150A

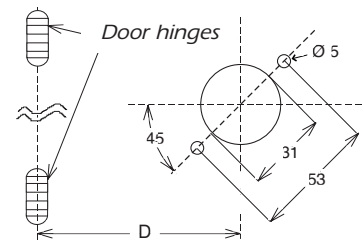
Control handles dimensions and drilling for out side handle

Ref. Number	Switch Model	A: distance depth	A: with long shaft	B
Q209912	IT 1000 to	255 mm to 325 mm	L 097 093	145
R209913	IT 1600		400 to 470 mm	
Y210678	IT 1000 to	P 092 979		
Z210679	IT 3150	505 to 570 mm		

Weight: 0.56 kg.

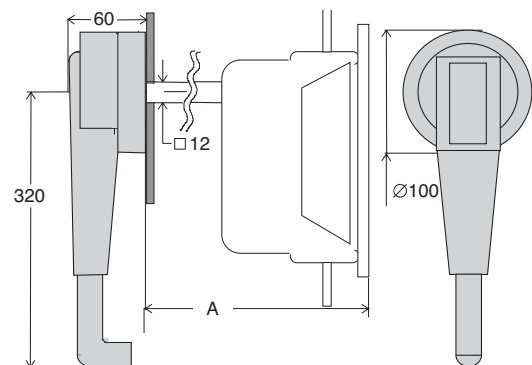


Handle Ref. number	D: minimal distance between door hinges shaft and handle shaft
S 209914	150 mm
T 209915	
Q 209912	80 mm

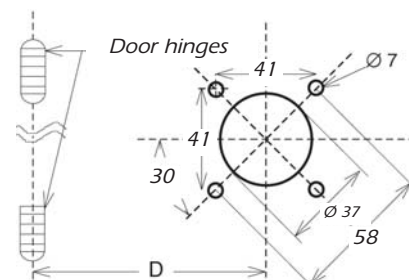


Ref. Number	Switch Model	A: distance depth	A: with long shaft
F 099 549	IT 2500K	360 mm to 490 mm	L 097 093
	IT 3150K		570 to 700 mm
			P 092 979
			675 to 800 mm

Weight: 1.2 kg.



Reference Number	D: minimal distance between hinge shaft and handle shaft
F099549	150 mm





Fused Switches ITC for Ferrule Fuses 32 to 125A



ITC 125
(22x58)

ITC 32
(10x38)



ITC 50
(14x51)

SWITCH-DISCONNECTORS - FUSES FOR FERRULE FUSES ITC 32 - 50 - 125 A

- CONTROL:** SIDE OR FRONT HANDLE
PADLOCKABLE IN OFF-POSITION WITH 3 PADLOCKS.
SAFE AND RELIABLE INDICATION OF POSITION ON HANDLES.
- INTERRUPTING:** TWIN INTERRUPTING PER PHASE
FUSE IS COMPLETELY ISOLATED WHEN POSITION IS OFF
AC23 & DC23 ON-LOAD SWITCHING AND CLOSING
- INTERRUPTING RATING: 25 TO 50
INSULATION VOLTAGE: 1 000 V
- MECHANISM:** SNAP CONTACTS which ensures rapid disconnection regardless of how fast the user turns the operation handle.
- FIXATION:** ON DIN RAIL
ON-BOARD OR ON-FRAME FOR CUBICLE BACKGROUND
- CONSTRUCTION:** COMPLYING WITH IEC AND EN 60 947.- I AND -3
PROTECTION DEGREE (WITH ACCESORIES): IP 2X.
PROTECTION FOR ANY CLIMATE.
SILVER-PLATED COPPER ELECTRIC CONTACTS.
ISOLATING PARTITIONS MADE WITH UL 94 VO MATERIALS.
PRE-ISOLATING AND BLOWN FUSE INDICATION AS ACCESSORIES.

Main electrical characteristics

			ITC 32	ITC 50	ITC 125
Rated operational current at ambient	40°C (1)	Ith	32	50	125
Rated operational current under cover	40°C	Ithe	32	50	125
Rated insulation voltage (Ui)	Pollution class 3	V	1000	1000	750
Rated operational voltage AC-20 DC-20		V	1000	1000	750
Rated impulse withstand voltage		kV	12	12	12
Fuse Size			10 x 38	14 x 51	22 x 58
Max power loss / fuse to Ith		W	3	7,5	12
RMS Prospective short-circuit current with aM or gG class FerrazShawmut Fuses.		kA	25	50	50
Fuses Rating		A	32	50	125
Permissible peak let-through current		kA	6	14	14
Rated operating current AC-21-A / AC-22-A	≤ 500 V 690 V	A	32 32	50 50	125 125 *
Rated operating current AC-23-A	≤ 500 V 690 V	A	32 32	50 50 *	100 50 *
Rated operating power Ac-23 (kW) with a 3-phase 1,500 rpm standard asynchronous motor at	400 V 500 V 690 V	kW	14 18 25	25 33 45	55 70 45
AC-23 Interrupting rating : I _c at cosφ = 0.35) under rated operating voltage (U _e)	≤ 500 V 690 V	A	256 256	504 504	800 405
DC-23-A rating operating current/ poles in series** for	110-220 V 440 V 500-750 V	A	32/2 32/4	consult us	125/3 100/4 *
RMS permissible short duration (1.5) rated current		kA	1	2,5	5
Mechanical endurance : operation cycles number (1 cycle = 1 opening + 1 closing of contacts)			10 000	10 000	10 000
Electrical endurance : operation cycles number at I _e and cosφ 0.65	≤ 500 V 690 V	 1500	1500 ***
Power loss per pole (without fuses)		W	2	2,5	5

(1) For ambient temperature 50°C : x 0.9 - 60°C : x 0.8 ; for horizontal fuse : x 0.9. * Use in class B *** To be achieved by user
*** Test at 100 A



Fused Switches ITC for Ferrule Fuses 32 to 125A

Standard switch - Fuses

The following items are supplied separately.
For additional adaptations refer to Accessories section and order selected reference numbers.

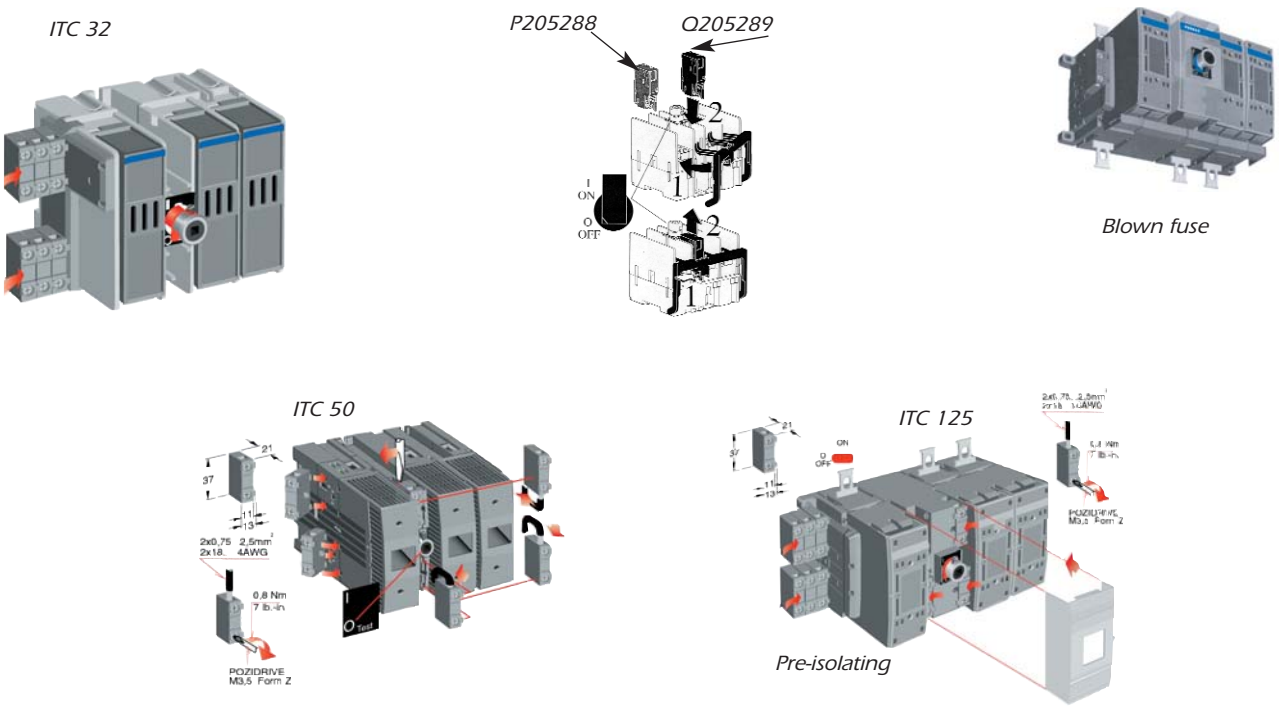
Type	Pole	Designation	Reference Number	Catalog Number
10x38 32 A	3	ITC 32 III 10x38	J 205283	ITC32S3CF
	3+N	ITC 32 III+N 10x38	K 205284	ITC32S3NCF
	4	ITC 32 IV 10x38	L 205285	ITC32S4CF
14x51 50 A	3	ITC 50 F III 14x51	Y 209896	ITC50S3CF
	4	ITC 50 F IV 14x51	Z 209897	ITC50S4CF
22x58 125 A	3	ITC 125F III 22x58	L 210782	ITC125S3CF
	3+N	ITC 125F III+N 22x58	M 210783	ITC125S3NCF
	4	ITC 125F IV 22x58	N 210784	ITC125S4CF
10x38 32 A	3	ITC 32 M III 10x38 CDE LAT	F 210087	ITC32S3CL
	4	ITC 32 M IV 10x38 CDE LAT	G 210088	ITC32S4CL
14x51 50 A	3	ITC 50 FS III 14x51 CDE LAT	D 209901	ITC50S3CL
	4	ITC 50 FS IV 14x51 CDE LAT	E 209902	ITC50S4CL
22x58 125 A	3	ITC 125 M III 22x58 CDE LAT	P 210785	ITC125S3CL
	4	ITC 125 M IV 22x58 CDE LAT	R 210787	ITC125S4CL

FRONT

SIDE



Mounting of pre-isolating and blown fuse-indicator microswitch





Fused Switches ITC for Ferrule Fuses 32 to 125A

Accessories

Reference Number

HANDLE	Size	Pre-isolating microswitch	Blownfuse microswitches	Protection against live terminal touching	Protection against fuse touching	Inside handle padlockable	Outside handle padlockable supplied with shaft	Shaft extension
		Single microswitch ① One contact NO or NC ② Reversing (NO/NC)	③ One contact NO + one contact NC ② Reversing (NO/NC)	For protection upstream and downstream order two pieces		See control handle bulk	Distance between switch and handle See bulk Black (Red and Yellow)	Distance max. between switch and handle is - 60 mm compare with the shaft length L
FRONT	3 3+N 4 10x38 32 A	② P 205288 (NO/NC) or G210663+ ① H 209882(NC) ① L 207493(NO)	② Q205289 ② R205290 ② R205290	Original	Original	N205287	V 209916 (C 210084)	H 081703 (L = 265 mm)
	3 4 14x51 50 A	① H 209882(NC) ① L 207493(NO)	③ Z210104 ③ A210105	Original	Original	E210109	M 209909 (N 209910)	B 210106 (L = 290 mm)
	3 3+N 4 22x58 125 A	① H 209882(NC) ① L 207493(NO)	③ A210473	N 210807 (1 per terminal)	Original	E210109	M 209909 (N 209910)	C 210107 (L = 430 mm)
SIDE	3 4 10x38 32 A	② P 205288 (NO/NC)	② Q205289 ② R205290	Original	Original	N205287	A 210082 (B 210083)	H 081703 (L = 265 mm)
	3 4 14x51 50 A	① L 207493(NO) ① H 209882(NC)	③ Z210104 ③ A210105	Original	Original	E210109	D 210085 (E 210086)	B 210106 (L = 290 mm)
	3 4 22x58 125 A	① L 207493(NO) ① H 209882(NC)	③ A210473	N 210807 (1 per terminal)	Original	E210109	D 210085 (E 210086)	C 210107 (L = 430 mm)

Catalog Number

HANDLE	Size	Pre-isolating microswitch	Blownfuse microswitches	Protection against live terminal touching	Protection against fuse touching	Inside handle padlockable	Outside handle padlockable supplied with shaft	Shaft extension
		Single microswitch ① One contact NO or NC ② Reversing (NO/NC)	③ One contact NO + one contact NC ② Reversing (NO/NC)	For protection upstream and downstream order two pieces		See control handle bulk	Distance between switch and handle See bulk Black (Red and Yellow)	Distance max. between switch and handle is - 60 mm compare with the shaft length L
FRONT	3 3+N 4 10x38 32 A	② FOITC32 NO/NC or ADAPTITC32FO ① FOITC32/160NC ① FOIT25/125ETNC	② DITC323 NO/NC ② DITC323N/4NO/NC ② DITC323N/4NO/NC	Original	Original	PIITC32	PENITC32 (PERJITC32)	A265ITC32 (L = 265 mm)
	3 4 14x51 50 A	① FOITC32/160NC ① FOIT25/125ETNC	③ DITC503 NO/NC ③ DITC50NO/NC3N/4	Original	Original	PIITC50/160	PENITC32/160 (PERJIT160)	A290ITC50/160 (L = 290 mm)
	3 3+N 4 22x58 125 A	① FOITC32/160NC ① FOIT25/125ETNC	DITC125NO/NC3/4	CBITC125/160 (1 per terminal)	Original	PIITC50/160	PENITC32/160 (PERJIT160)	A430ITC50/160 (L = 430 mm)
SIDE	3 4 10x38 32 A	② FOITC32 NO/NC	② DITC323 NO/NC ② DITC323N/4NO/NC	Original	Original	PIITC32	PENITC32L (PERJITC32L)	A265ITC32 (L = 265 mm)
	3 4 14x51 50 A	① FOIT25/125ETNC ① FOITC32/160NC	③ DITC503 NO/NC ③ DITC50NO/NC3N/4	Original	Original	PITC50/160	PENITC50/160 (PERJITC50/160)	A290ITC50/160 (L = 290 mm)
	3 4 22x58 125 A	① FOIT25/125ETNC ① FOITC32/160NC	DITC125NO/NC3/4	CBITC125/160 (1 per terminal)	Original	PITC50/160	PENITC50/160 (PERJITC50/160)	A430ITC50/160 (L = 430 mm)



Fused Switches ITC for Ferrule Fuses 32 to 125A

Ready to install complete switch

Switch with direct handle outside handle (1) + Auxiliary preisolating contacts (2No + 2Nc) + protection against live touching (fuses and terminals)"

Front handle-switch

Current rating Ith	Poles	Designation	Reference Number	Catalog Number
32	3	ITC 32CIII 10x38 CF/N&R SF	Y235311	ITC32C3CFNSF
	3 + N	ITC 32CIII+N 10x38 CF/N&R SF	Z235312	ICT32C3NCFNSF
	4	ITC 32CIV 10x38 CF/N&R SF	A235313	ITC32C4CFNSF
50	3	ITC 50CIII 14x51 CF/N&R SF	L235323	ITC50C3CFNSF
	3 + N	ITC 50CIII+N 14x51 CF/N&R SF	M235324	ITC50C3NCFNSF
	4	ITC 50IV 14x51 CF/N&R SF	N235325	ITC50C4CFNSF
125	3	ITC 125CIII 22x58 CF/N&R SF	Z235335	ITC125C3CFNSF
	3 + N	ITC 125CIII+N 22x58 CF/N&R SF	A235336	ITC125C3NCFNSF
	4	ITC 125CIV 22x58 CF/N&R SF	B235337	ITC125C4CFNSF

Side handle switch

Current rating Ith	Poles	Designation	Reference Number	Catalog Number
32	3	ITC 32CIII 10x38 CL/N&R SF	E235317	ITC32C3CLNSF
	3 + N	ITC 32CIII+N 10x38 CL/N&R SF	F235318	ICT32C3NCLNSF
	4	ITC 32CIV 10x38 CL/N&R SF	G235319	ITC32C4CLNSF
50	3	ITC 50CIII 14x51 CL/N&R SF	S235329	ITC50C3CLNSF
	3 + N	ITC 50CIII+N 14x51 CL/N&R SF	T235330	ITC50C3NCLNSF
	4	ITC 50IV 14x51 CL/N&R SF	V235331	ITC50C4CLNSF
125	3	ITC 125CIII 22x58 CL/N&R SF	F235341	ITC125C3CLNSF
	3 + N	ITC 125CIII+N 22x58 CL/N&R SF	G235342	ITC125C3NCLNSF
	4	ITC 125CIV 22x58 CL/N&R SF	H235343	ITC125C4CLNSF

(1) length of shaft outside handle: 32A = 265 mm, 50A = 430 mm, 125A = 430 mm

Microswitch Characteristics

Reference Number	Minimum for safe operation	Maximum for operation in AC 12	Applications	
② P205288 ② Q205289 ② R205290	24 V 25 mA AC / DC	24V - 6A DC12	Single microswitch standard	NO/NC NO/NC 4NO/NC
① H209882 ① L207493		440V - 2A AC15		NC NO
③ Z210104 ③ A210105 ③ A2100473		690V - 2A AC15	Twin microswitch standard	1 NO + 1 NC 1 NO + 1 NC 1 NO + 1 NC

Inside Control handle bulk

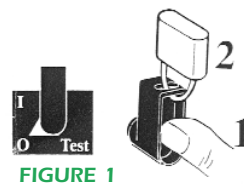


FIGURE 1

Insulating, padlockable inside front handle

Reference Number	Switch Model	A	B	C	Weight (kg)	Figure	Catalog number
N 205287	ITC 32	40	50	22	0,1	1	PIITC32
E 210109	ITC 50 & 125	50	70	20	0,15	2	PIITC50/160

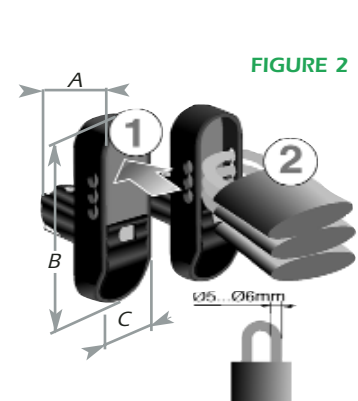


FIGURE 2



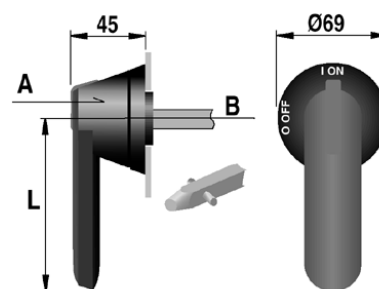
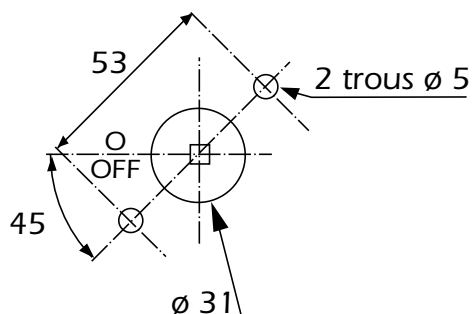
Fused Switches ITC for Ferrule Fuses 32 to 125A

Control handles dimensions

Insulating, padlockable outside front handle

Reference Number	Switch Model	L mm	■ mm	Weight (kg)	Figure
V 209916					
C 210084	ITC 32	65	5	0,1	1
M 209909	ITC 50F				
N 209910	ITC 125F	80	6	0,1	1

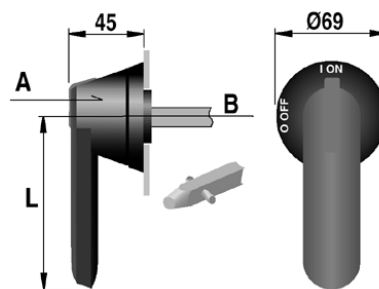
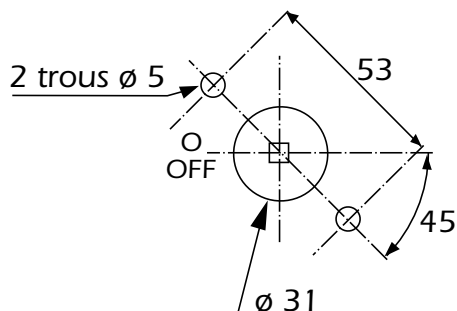
FIGURE 1



Insulating, padlockable outside front handle

Reference Number	Switch Model	L mm	■ mm	Weight (kg)	Figure
A 210082					
B 210083	ITC 32M	65	5	0,1	2
D 210085	ITC 50FS				
E 210086	ITC 125M	80	6	0,1	2

FIGURE 2





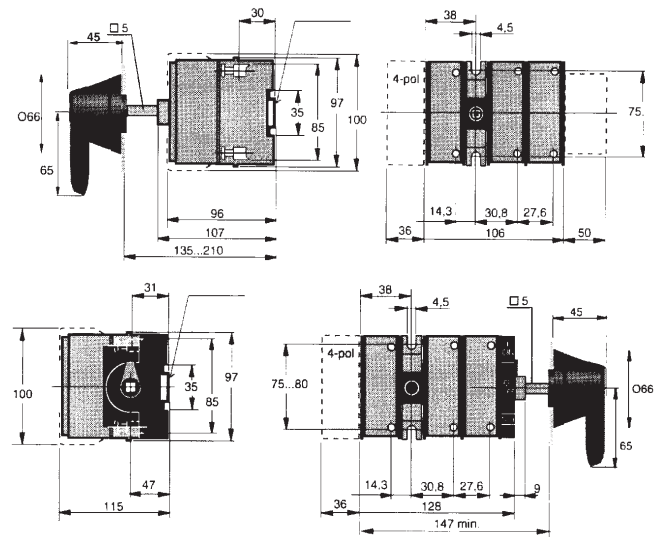
Fused Switches ITC for Ferrules Fuses 32 to 125A

Dimensions and weight

ITC 32

Pole	III	III+N	IV
A	106	142	142
B	156	192	192
Weight (kg)	0.7	0.9	0.9

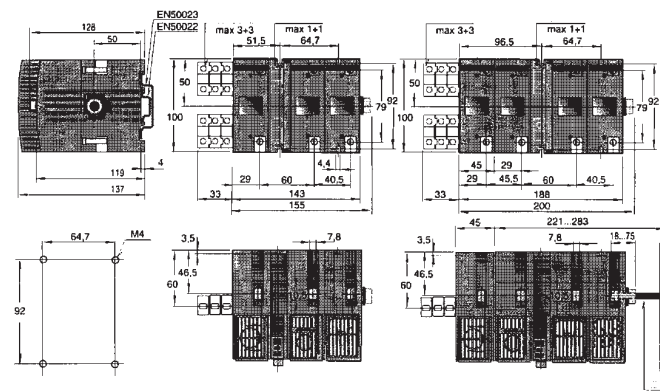
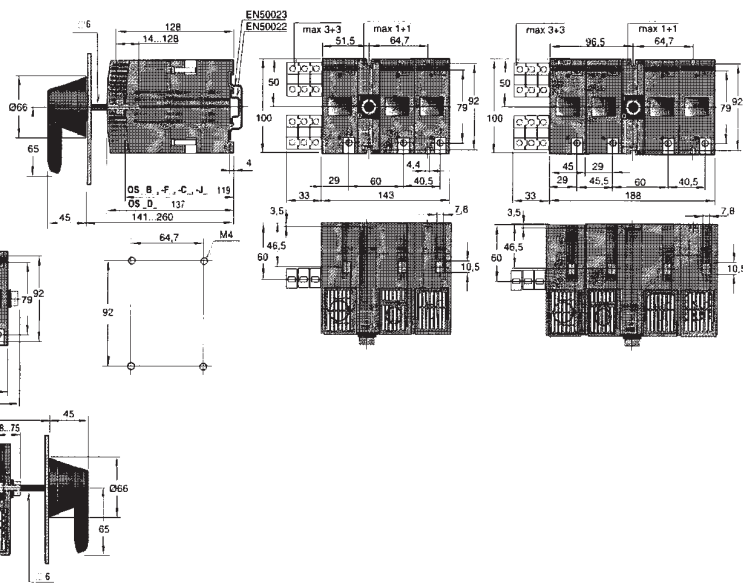
Terminal tightening torque: 1.6 to 2.4 Nm
Tightening torque switches: 1.2 to 1.8 Nm
Section of copper cables 0.5 to 10 mm²



ITC 50

Pole	III	III+N	IV
A	126	158	158
B	167	199	199
Weight (kg)	1,6	1,9	1,9

Terminal tightening torque: 4 to 6 Nm
Tightening torque switches: 5 to 7 Nm
Section of copper cables 2.5 to 25 mm²

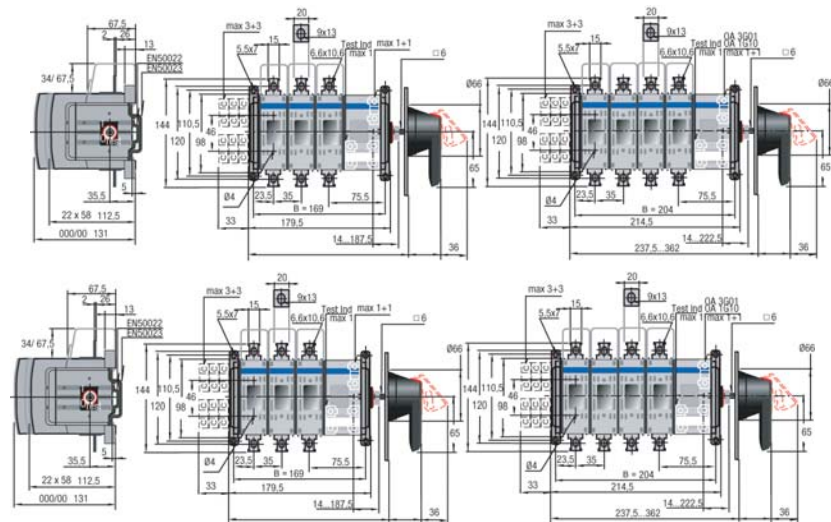


Dimensions and weight

ITC 125

Pole	III	III+N	IV
A	169	204	204
B	180	214	214
Weight (kg)	1,9	2,4	2,4

Connection: torque 20 mm with M8 bolt
Terminal tightening torque: 15 to 22 Nm
Switch tightening torque: 5 to 7 Nm



NOTE: Weights given without accessories; tightening torques of switches depend on quality of bolts.

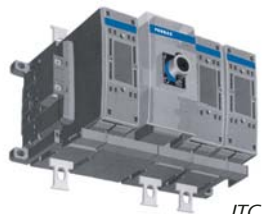


Fused Switches ITC for NH Fuses 63 to 630A

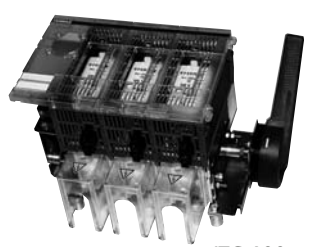
ITC 63



ITC 250



ITC 160



ITC 400

CONTROL: SIDE OR FRONT, PADLOCKABLE IN OFF-POSITION BY 3 PADLOCKS SAFE AND RELIABLE INDICATION OF CONTACT POSITION ON HANDLES

INTERRUPTION: DUAL INTERRUPTION PER PHASE COMPLETE ISOLATION OF FUSE IN OPEN CIRCUIT ON-LOAD

OPENING AND CLOSING: AC 23 AND DC 23

INTERRUPTING POWER: 25 kA A 50 kA.

ISOLATION VOLTAGE: 1000 V.

MECHANISM: SNAP CONTACTS which ensures rapid disconnection regardless of how fast the user turns the operation handle.

FIXING: ON DIN RAIL ON PANEL BOARD

CONSTRUCTION: COMPLYING WITH IEC AND EN 60947-1 AND -3

- PROTECTION INDEX IP 2X
- SUITABLE FOR ALL CLIMATE TYPES
- SILVER-PLATED COPPER CONTACTS
- ISOLATING PARTITIONS IN MATERIAL AS PER UL 94 VO.
- PREISOLATING AND BLOWN-FUSE INDICATION ACCESSORIES.

Main electrical characteristics

			ITC 63A	ITC 160A	ITC 250A	ITC 400A	ITC 630A
Rated operational current at ambient 40°C (I)	lth	63	160	250	400	630	
Rated operational current under cover 40°C	lthe	63	135	230	360	570	
Rated insulation voltage (Ui). Pollution class 3	V	1000	750	1000	1000	1000	
Rated operational voltage AC-20 DC-20	V	1000	750	1000	1000	1000	
Rated impulse withstand voltage	kV	12	12	12	12	12	
Size fuses	DIN	00 / 000	00	Size 1	Size 2	Size 3	
Max. power loss/fuse at lth	W	7,5	12	32/27 lthe	45/37 lthe	60/50 lthe	
RMS prospective short-circuit current with aM or gG class FerrazShawmut Fuses.	kA	50	100	100	100	100	
Fuses Rating Permissible peak let-through current	kA	63	160	250	400	630	
	kA	14	14	35	35	60	
Rated operating current AC-21-A and AC-22-A	≤ 500 V 690 V	A	63	160	250	400	630
			63	135*	250	400	630
Rated operating current AC-23-A	≤ 500 V 690 V	A	63	100	250	400	630
			63*	50*	250	400	630
Rated operating power AC-23 in kW with a 3-phase 1.500 rpm standard asynchronous motor at	400 V 500 V 690 V	kW	30 37 60	55 70 45	132 170 230	210 280 330	315 400 540
AC-23 interrupting rating: I _c A at cos φ = 0.35 under rated operating voltage (U _e)	≤ 500 V 690 V	A	504 504	800 405	2000 2000	3200 3200	5760 5760
DC-23-A rating operating current / poles in series** for	110-220 V 440 V 500-750 V	A	Consult us	160/3 100/4*	250/2 250/2 250/3	400/2 400/2 400/3	630/2 630/2 630/3
RMS permissible short duration (1.5) rated current		kA	2,5	5	8	10	16
Mechanical endurance : operation cycles number (1 cycle = 1 opening + 1 closing of contacts)			10 000	10 000	8 000	8 000	5 000
Electrical endurance : operation cycles number at I _e and cos φ 0.65	≤ 500 V 690 V		1000
			1000	1000	1000
Power loss per pole		W	4	9	11	30	55

(1) For ambient temperature 50°C : x 0.9 - 60°C : x 0.8 ; for horizontal fuse : x 0.9.
* Use in class B ** To be achieved by user *** Test at 100 A



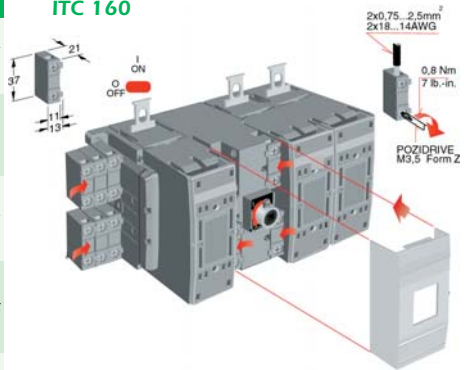
Fused Switches ITC for NH Fuses 63 to 630A

Standard switches - fuses

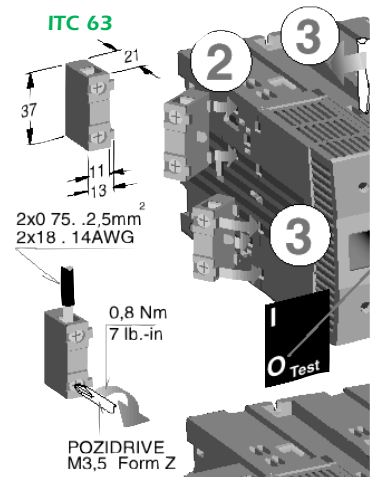
The following items are supplied separately.
For additional adaptations refer to Accessories section
and order selected reference numbers.

	Type	Pole	Designation	Reference Number	Catalog Number
FRONT	00 63 A	3 3+N 4	ITC 63D III 00CDE FRONT ITC 63D III+N 00CDE FRONT ITC 63D IV 00CDE FRONT	A 209898 B 209899 C 209900	ITC63S3CF ITC63S3NCF ITC63S4CF
	00 160 A	3 3+N 4	ITC 160F III 00 CDE Front ITC 160 F iii+NQ0 ITC 160F IV 00 CDE Front	S 210788 T 210789 U 210790	ITC160S3CF ITC160S3NCF ITC160S4CF
	DIN 1 250 A	3 3+N 4	ITC 250D III T1 ITC 250D III+N T1 ITC 250D IV T1	O 207290 R 207291 V 207292	ITC250S3CF ITC250S3NCF ITC250S4CF
	DIN 2 400 A	3 3+N 4	ITC 400D III T2 ITC 400D III+N T2 ITC 400D IV T2	T 207293 V 207294 W 207295	ITC400S3CF ITC400S3NCF ITC400S4CF
	DIN 3 630 A	3 3+N 4	ITC 630D III T3 ITC 630D III+N T3 ITC 630D IV T3	X 207296 Y 207297 Z 207298	ITC630S3CF ITC630S3NCF ITC630S4CF
SIDE	00 63 A	3 3+N 4	ITC 63DM III 00 CDE LAT ITC 63DM III+N 00 CDE LAT ITC 63DM IV 00 CDE LAT	F 209903 G 209904 H 209905	ITC63S3CL ITC63S3NCL ITC63S4CL
	00 160 A	3 3+N 4	ITC 160M III 00 CDE LAT ITC 160M III +N 00CDE LAT ITC 160M IV 00 CDE LAT	W 210791 X210792 Y 210793	ITC160S3CL ITC160S3NCL ITC160S4CL
	DIN 1 250 A	3 3+N 4	ITC 250DM III T1 CDE LAT ITC 250DM III+N T1 CDE LAT ITC 250DM IV T1 CDE LAT	E 208614 F 208615 G 208616	ITC250S3CL ITC250S3NCL ITC250S4CL
	DIN 2 400 A	3 3+N 4	ITC 400DM III T2 CDE LAT ITC 400DM III+N T2 CDE LAT ITC 400DM IV T2 CDE LAT	H 208617 J 208618 K 208619	ITC400S3CL ITC400S3NCL ITC400S4CL

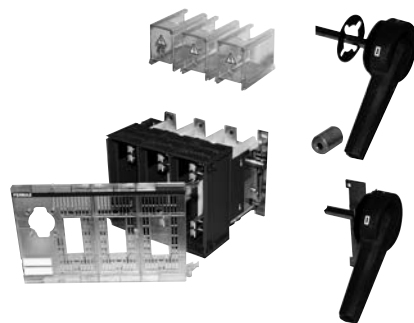
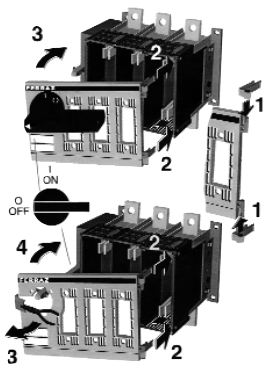
ITC 160



ITC 63

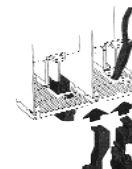


ITC 250D À 630D



BLOWN FUSE M.S.

PRE-ISOLATING M.S.



Microswitches characteristics

Reference Number	Minimum for safe operation	Maximum for operation in AC 12	Applications	
H 209882 L 207493 S 086 588 L 097 300	24 V 25 mA AC / DC	690 V 2 A cos φ = 0,9	Single-standard microswitch Twin-standard microswitch	NC NO NO/NC NO/NC
J 208020	24 V 10 mA AC / DC	690 V 2 A cos φ = 0,9	Single microswitch: aggressive atmosphere or connection with a programmable machine	NO/NC
Blown-fuse indicator microswitches	24 V 25 mA AC / DC	690 V 2 A cos φ = 0,9	Single-standard microswitch	

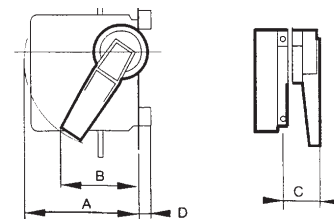


Fused Switches ITC for NH Fuses 63 to 630A

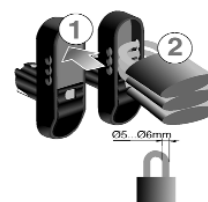
Inside control handle bulk

Insulating padlockable inside side handle

Reference Number	Switch Model	A mm	B mm	C mm	D mm	Weight (kg)	Catalog number
T 090 936	ITC 250 ITC 400	202	170	100	30	1,2	PILRIT500ITC250



Reference Number	Switch Model	A mm	B mm	C mm	D mm	Weight (kg)	Catalog number
E 210109	ITC 63D	50	70	20	XX	0,15	PIITC50/160



Accessories

Reference Number

H A N D L E	Fuse size and Current rating	Pre-isolating microswitch Single microswitch ① One contact(NO/NC) ② Reversing (NO/NC) ③ 2 single micro(NO/NC) Twin microswitch ④ 2 reversing (NO/NC) ⑤ 2x2 single micro(NO/NC) Bas niveau ⑥ 2x2 single micro(NO/NC)	Blown fuse indicator	Finger safe Protection One shroud per terminal	Protection against fuse touching	Inside handle padlockable supplied with shaft. See bulk switches.	Outside handle padlockable supplied with shaft. Distance between switch and handle. See control handle bulk. Black (Red and yellow)	Axle extension The maximum distance between the handle and the machine is - 60 mm compare with the shaft length L
FRONT	00 63A III/III+N/IV	① H209882 (NC)* ① L207493 (NO)*	=====	Built-in	Built-in	E 210109	M 209909 (N 209910)	B 210 106 (L = 290 mm)
	00 160A III/III+N/IV	① H209882 (NC)* ① L207493 (NO)*	=====	N 210807 (1 per terminal)	Built-in		M 209909 (N 209910)	C 210 107 (L = 430 mm)
	DIN1 250A III/III+N/IV		III& III+N/IV A207299 NO L207976 NC B207300 NO N207978 NC	M 096657 (1 per terminal)	G 207305 H 207306 H 207306	Take the outside handle	O 209912 (R 209913)	
	DIN2 400A III/III+N/IV	③ S086588 ⑤ L097300 ⑥ J208020	III& III+N/IV C207301 NO L207976 NC D207302 NO N207978 NC	M 096657 (1 per terminal)	J 207307 K 207308 K 207308	with a protection partition	O 209912 (R 209913)	L 097093 (L = 395 mm)
	DIN3 630A III/III+N/IV		III& III+N/IV E207303 NO L207976 NC F207304 NO N207978 NC	S 095880 (1 per terminal)	L 207309 M 207310 M 207310	against fuses touching	O 209912 (R 209913)	
SIDE	00 63A III/III+N/IV	① H209882 (NC)* ① L207493 (NO)*	=====	Built-in	Built-in	not available take the outside front handle	D 210085 (E 210086)	B 210 106 (L = 290 mm)
	00 160A III/III+N/IV	① H209882 (NC)* ① L207493 (NO)*	=====	N210807	Built-in		D 210085 + E 210454 (E 210086 + E 210454)	C 210 107 (L = 430 mm)
	DIN1 250A III/III+N/IV	③ S086588 ⑤ L097300	III& III+N/IV A 207299 NO L 207976 NC B 207300 NO N 207978 NC	M 096657 (1 per terminal)	G 207305 H 207306 H 207306	T 090936 (red)	Y 090940 (red)	P 092979 (L = 465mm)
	DIN2 400A III/III+N/IV	⑥ J208020	III& III+N/IV C 207301 NO L 207976 NC D 207302 NO N 207978 NC	M 096657 (1 per terminal)	J 207307 K 207308 K 207308	T 090936 (red)	Y 090940 (red)	

* 8 contacts maxi



Fused Switches ITC for NH Fuses 63 to 630A

Catalog Number

HANDLE	Fuse size and Current rating	Pre-insulating microswitch	Blown fuse indicator	Finger safe Protection	Protection against fuse touching	Inside handle padlockable supplied with shaft.	Outside handle padlockable supplied with shaft. Distance between switch and handle. See control handle bulk. Black (Red and yellow)	Axle extension
		Single microswitch ① One contact(NO) ou(NC) ② Reversing (NO/NC) ③ 2 single micro(NO/NC) Twin microswitch ④ 2 reversing (NO/NC) ⑤ 2x2 single micro(NO/NC) Bas niveau ⑥ 2x2 single micro(NO/NC)						
FRONT	00 63A III III+N IV	① FOITC32/160NC ① FOIT25/125ETNC	=====	Built-in	Built-in	PIITC50/160	PENITC32/160 PERJIT160	A290ITC50/160 (L = 290 mm)
	00 160A III III+N IV	① FOITC32/160NC ① FOIT25/125ETNC	=====	CBITC125/160 (1 per terminal)	Built-in		PENITC32/160 PERJIT160	A430ITC50/160 (L = 430 mm)
	DIN1 250A III III+N IV		III& III+N IV DITC250NO3/3N DITC250/630NC3 DITC250NO4 DITC250/630NC4	CBITC250/400 (1 per terminal)	CPTITC250/3 CPTITC250/3N/4 CPTITC250/3N/4	Take the outside handle	PERNIT500/1600 PERJIT500/1600	
	DIN2 400A III III+N IV	③ FOIT500NO/NC ⑤ FOIT5002NO/NC ⑥ FOIT5002NONCBN	III& III+N IV DITC400NO3/3N DITC250/630NC3 DITC400NO4 DITC250/630NC4	CBITC250/400 (1 per terminal)	CPTITC400/3 CPTITC400/3N/4 CPTITC400/3N/4	with a protection partition	PERNIT500/1600 PERJIT500/1600	A430ITC50/160 (L = 395 mm)
DIN3 630A III III+N IV		III& III+N IV DITC630NO3/3N DITC250/630NC3 DITC630NO4 DITC250/630NC4	CBIT1000/1600 (1 per terminal)	CPTITC630/3 CPTITC630/3N/4 CPTITC630/3N/4	against fuses touching	PERNIT500/1600 PERJIT500/1600		
SIDE	00 63A III III+N IV	① FOITC32/160NC ① FOIT25/125ETNC	=====	Built-in	Built-in	take the outside front handle	PENITC50/160 PERJIT50/160	A290ITC50/160 (L = 290 mm)
	00 160A III III+N IV	① FOITC32/160NC ① FOIT25/125ETNC	=====	CBITC125/160 (1 per terminal)	Built-in		PENITC50/160 +MANCHONRALAXE6 PERJITC50/160 +MANCHONRALAXE6	A430ITC50/160 (L = 430 mm)
	DIN1 250A III III+N IV	③ FOIT500NO/NC ⑤ FOIT5002NO/NC	III& III+N IV DITC250NO3/3N DITC250/630NC3 DITC250NO4 DITC250/630NC4	CBITC250/400 (1 per terminal)	PTITC250/3 CPTITC250/3N/4 CPTITC250/3N/4	PILRIT500ITC250 (red)	PELRIT500ITC250 (red)	A465IT500ITC250 (L = 465mm)
	DIN2 400A III III+N IV	⑥ FOIT5002NONCBN	III& III+N IV DITC400NO3/3N DITC250/630NC3 DITC400NO4 DITC250/630NC4	CBITC250/400 (1 per terminal)	CPTITC400/3 CPTITC400/3N/4 CPTITC400/3N/4	PILRIT500ITC250 (red)	PELRIT500ITC250 (red)	

* 8 contacts maxi

Outside control handle bulk

Insulating padlockable outside front handle

Reference Number	Switch Model	A mm	B mm	C mm	D mm	L mm	■ mm	Weight (kg)	Figure	Catalog Number
M 209909 N 209910	ITC 63D ITC 160	-	-	45	-	80	6	0,1	1	PENITC32/160 PERJIT160
Q 209912 R 209913	TC 250D ITC 400D ITC 630D	-	-	45	-	145	12	0,2	1	PERNIT500/1600 PERJIT500/1600

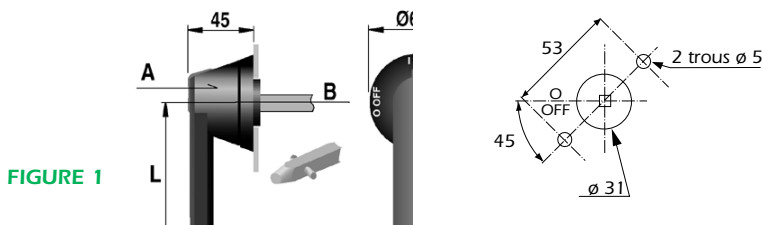


FIGURE 1



Fused Switches ITC for NH Fuses 63 to 630A

Ready to install complete switches

Switch with direct handle + outside handle (1) + Auxiliary preisolating ITCs (2No + 2Nc) + protection against live touching (fuses and terminals)"

Front handle switch

Current rating Ith	Poles	Designation	Reference Number	Catalog Number
63A	3	ITC 63CIII T00 CF/N&R SF	M235347	ITC63C3CFNSF
	3 + N	ITC 63CIII+N T00 CF/N&R SF	N235348	ICT63C3NCFNSF
	4	ITC 63CIV T00 CF/N&R SF	P235349	ITC63C4CFNSF
160A	3	ITC 160CIII T00 CF/N&R SF	T235353	ITC160C3CFNSF
	3 + N	ITC 160CIII+N T00 CF/N&R SF	V235354	ITC160C3NCFNSF
	4	ITC 160IV T00 CF/N&R SF	W235355	ITC160C4CFNSF
250A	3	ITC 250CIII T1 CF/N&R SF	A235359	ITC250C3CFNSF
	3 + N	ITC 250CIII+N T1 CF/N&R SF	B235360	ITC250C3NCFNSF
	4	ITC 250CIV T1 CF/N&R SF	C235361	ITC250C4CFNSF
400A	3	ITC 400CIII T2 CF/N&R SF	N235371	ITC400C3CFNSF
	3 + N	ITC 400CIII+N T2 CF/N&R SF	P235372	ITC400C3NCFNSF
	4	ITC 400CIV T2 CF/N&R SF	Q235373	ITC400C4CFNSF
630A	3	ITC 630CIII T3 CF/N&R SF	B235383	ITC630C3CFNSF
	3 + N	ITC 630CIII+N T3 CF/N&R SF	C235384	ITC630C3NCFNSF
	4	ITC 630CIV T3 CF/N&R SF	D235385	ITC630C4CFNSF

Side handle switch

Current rating Ith	Poles	Designation	Reference Number	Catalog Number
63A	3	ITC 63CIII T00 CL/N&R SF	Q235350	ITC63C3CLNSF
	3 + N	ITC 63CIII+N T00 CL/N&R SF	R235351	ICT63C3NCLNSF
	4	ITC 63CIV T00 CL/N&R SF	S235352	ITC63C4CLNSF
160A	3	ITC 160CIII T00 CL/N&R SF	X235356	ITC160C3CLNSF
	3 + N	ITC 160CIII+N T00 CL/N&R SF	Y235357	ITC160C3NCLNSF
	4	ITC 160IV T00 CL/N&R SF	Z235358	ITC160C4CLNSF
250A	3	ITC 250CIII T1 CL/N&R SF	G235365	ITC250C3CLNSF
	3 + N	ITC 250CIII+N T1 CL/N&R SF	H235366	ITC250C3NCLNSF
	4	ITC 250CIV T1 CL/N&R SF	J235367	ITC250C4CLNSF
400A	3	ITC 400CIII T2 CL/N&R SF	V235377	ITC400C3CLNSF
	3 + N	ITC 400CIII+N T2 CL/N&R SF	W235378	ITC400C3NCLNSF
	4	ITC 400CIV T2 CL/N&R SF	X235379	ITC400C4CLNSF

(1) length of shaft outside handle: 63A = 430 mm, 160A = 430 mm, 250A = 395 mm, 400A = 395 mm, 630A = 395 mm

Outside control handles dimensions

Insulating padlockable outside side handle

Reference Number	Switch Model	A mm	B mm	C mm	D mm	L mm	■ mm	Weight (kg)	Figure
D 210085	ITC 63DS	-	-	45	-	80	6	0,1	2
E 210096	ITC 160M	-	-	45	-	80	6	0,1	2
Y 090940	ITC 250DM ITC 400DM	202	170	55	30	145	12	0,75	3

FIGURE 2

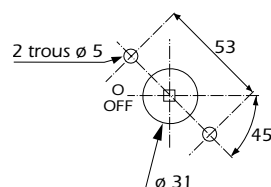
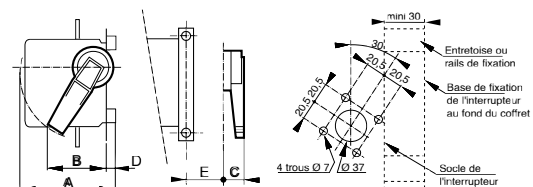


FIGURE 3



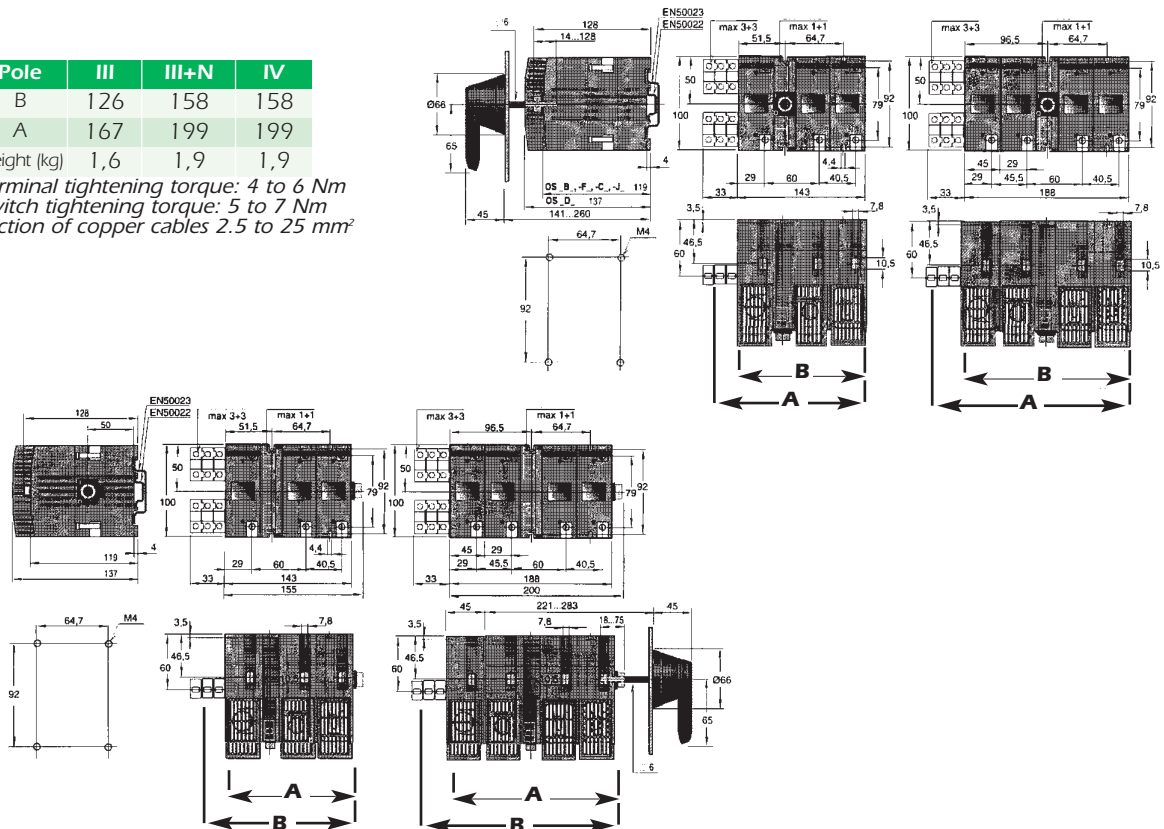


Fused Switches ITC for NH Fuses 63 to 630A

ITC 63

Pole	III	III+N	IV
B	126	158	158
A	167	199	199
Weight (kg)	1,6	1,9	1,9

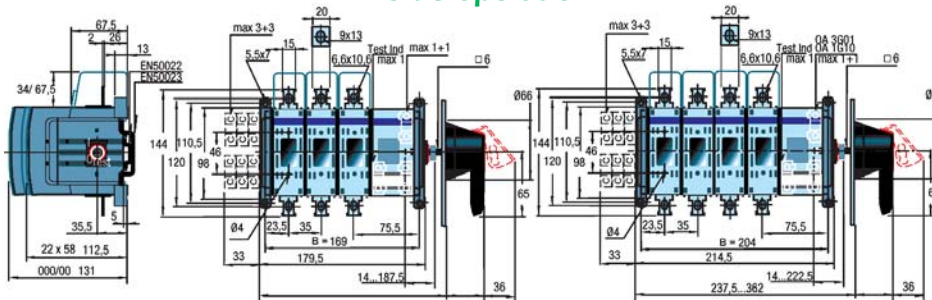
Terminal tightening torque: 4 to 6 Nm
Switch tightening torque: 5 to 7 Nm
Section of copper cables 2.5 to 25 mm²



Dimensions and weight ITC 160

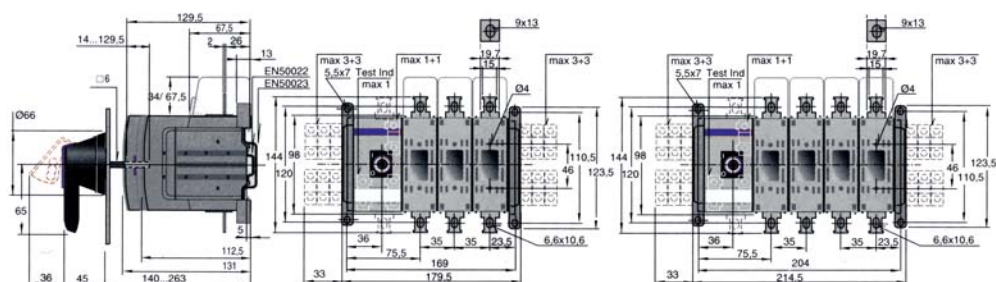
Side operation

Pole	III	III+N	IV
B	169	204	204
A	156	214	214
Weight (kg)	1.9	2.4	2.4



Terminal tightening torque: 15 to 22 Nm
Connection: torque 20 mm with M8 bolt
Switch tightening torque: 3 to 4 Nm

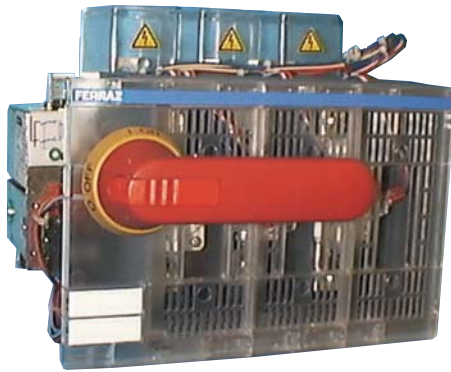
Front operation



NOTE: Weights given without accessories; tightening torques of switches depend on quality of bolts.



Fused Switches ITCP for Semiconductor Fuses 32 to 800A



CONTROL:

Side control, padlockable in off position by three padlocks.

Safe and reliable indication of contact position on handles.

SWITCHING:

Double isolation per phase.

Complete isolation of fuse when circuit open.

On-load opening and closing

AC23 & DC 23.

Interrupting rating 25 kA up to 100 kA.

Insulation voltage 1000 V.

FIXING:

On DIN rail for ratings lower 250A or on board.

FUSE CONNECTING:

Forced tightening.

MECHANISM:

Snap action mechanism which ensures rapid disconnection

regardless of how fast the user turns the operation handle.

CONSTRUCTION:

Complying with IEC 947 1 and 3 and EN 60947- 1 and - 3 Standards

Silver-plated copper electrical contacts.

Insulating partitions in UL 94 UO materials.

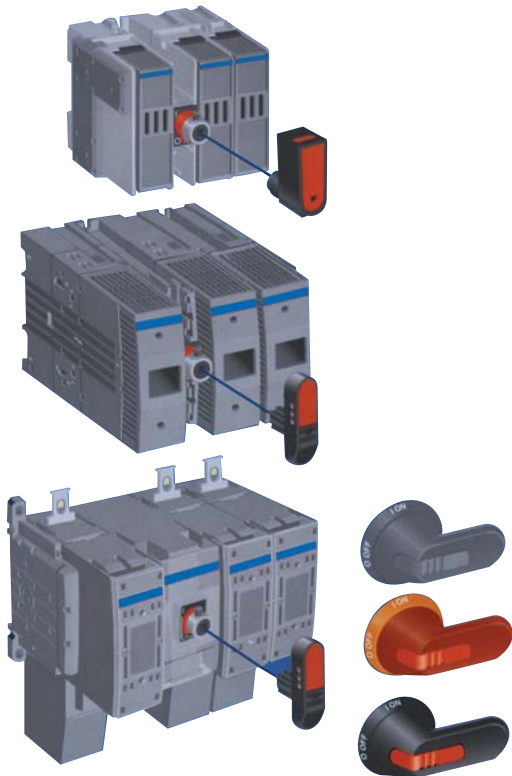
Required blown-fuse indication.

PROTECTION AGAINST TOUCHING OF LIVE PARTS: IP 20 COMPLETE RANGE READY-TO-INSTALL



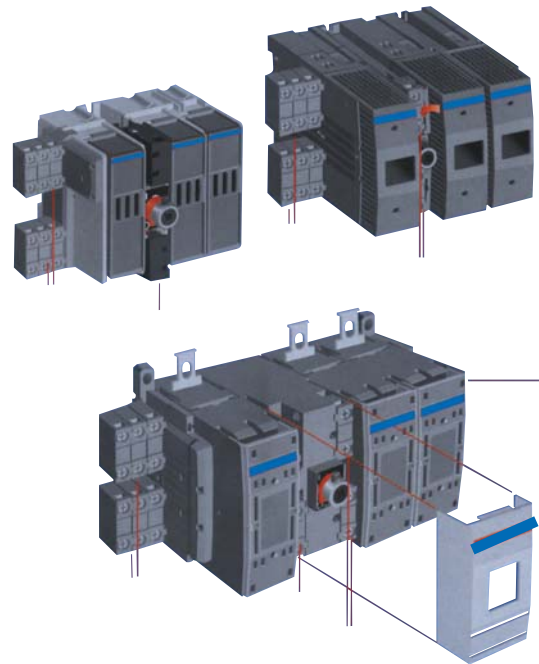
Fused Switches ITCP for Semiconductor Fuses 32 to 800A

Protistor Fuse Switch disconnectors

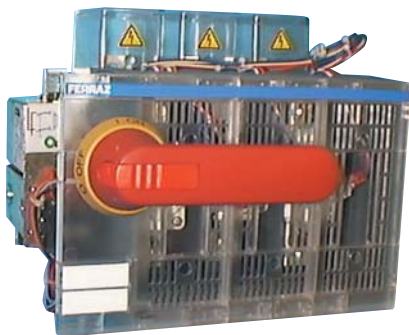


- For 10 x 38 fuses
- For 14 x 51 fuses
- For 22 x 58 fuses
- For 27 x 60 fuses
- For 00 x 000 fuses

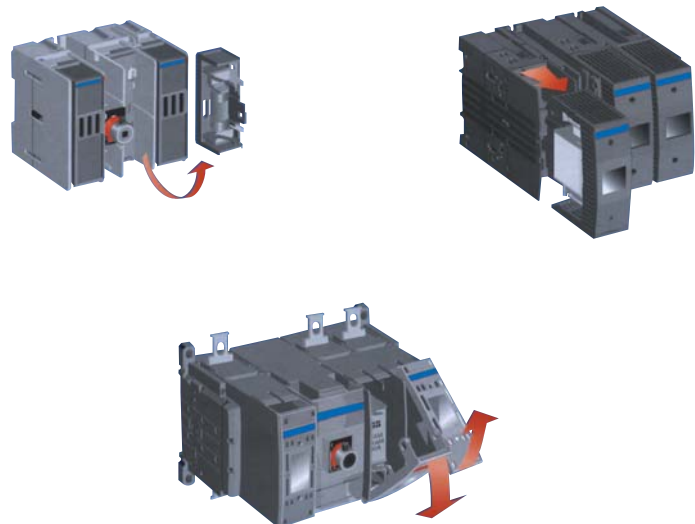
Easy-to-install and use



Complete protection against touching of live parts



- For 00P & 00TD80 fuses
- For end-contact fuses
- For blade-style Protistor fuses DIN 80 - 110 - 140
- For American blade-style Protistor fuses





Fused Switches ITCP for Semiconductor Fuses 32 to 800A

The ITCP switch-disconnector range is specially designed to satisfy the connection requirements of Protistor semiconductor fuses along with thermal stresses generated during their use.

The combination of ITCP switches and Protistor fuses ensures a high degree of safety in the protection of both personnel and equipment, including power semiconductors and other fragile components.

ITCP Main characteristics

- Safe switching or closing of circuit at any time, even on load
- Disconnection of circuit in order to safely service installations and downstream components off load
- Associated fuses enable protection of the even the most demanding semiconductors
- Complying with IEC 947-3 BS 5419 - VDE 0660 - NFC 63130 Standards.
- Silver-plated copper electrical contacts Interrupting rating as per IEC 947-3, AC 23 Isolation of fuses downstream and upstream: when switch is open, fuses are off load Protection in all climate types Molded partitions in self-extinguishing fiber glass-reinforced polyester
- Front-controlled
- Numerous accessories offer complete protection against casual touch of live parts for improved personnel safety.
- Designed for fusing with three Protistor fuse technologies:
 - ferrule-type fuses
 - 00-000 fuses
 - PSC series 660V and 000V fuses.
- Thermal rating is given for an

ambient temperature <40°C
Beyond this ambient, a derating factor must be applied to thermal rating:

$$\sqrt{\frac{110 - \theta}{70}} \quad \text{where } \theta \text{ is ambient in } ^\circ\text{C}$$

User advice

While the rating alone enables selection of the switch-disconnector for general purpose fuses, additional parameters must be taken into account for semiconductor fuses:

- RMS operating current
- Actual power loss through fuse must be lower than maximum dissipable power per fuse in fused switch.

ITCP Selection example

Assume that fuse determination, in accordance with our T59 application information document, results in selection of a PSC 660V size 31 with $I_N = 450\text{A}$ and 70W rated power.

Operating conditions will be as follows:

- open air installation, ambient 30°C
- vertically-assembled fuses
- $I_{rms} = 340\text{ A}$

Calculated power loss through fuse:

$$- \frac{I_{rms}}{I_N} = \frac{340}{450} \sim 0.76$$

In Semiconductor Fuses section, curve $P/P_N = f(I/I_N)$ provides a 0.48 coefficient, thus power lost in fuse is: $P = 0.48 \times 70\text{W} = 33.6\text{W}$

Various possibilities:

1st case: fuse with end contacts TT

- ① ITC P 400 III 30/32 TTF
 $I_{rms} = 340\text{ A} < 400\text{ A}$
 $P = 33,6\text{ W} < 45\text{ W}$
 (Possible selection)

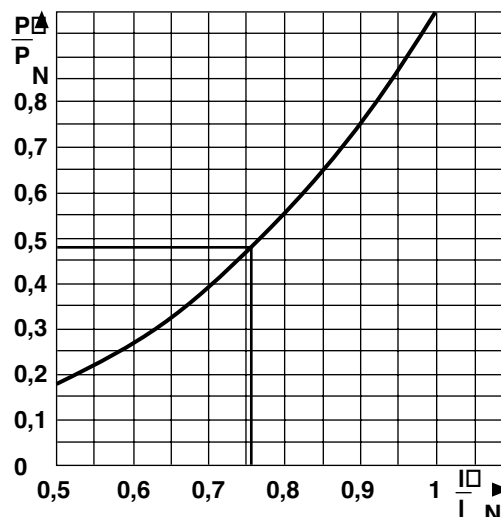
2nd case: fuse with LI blades

- ② ITC P 400 III 30/32 LI
 $I_{rms} = 340\text{ A} < 400\text{ A}$
 $P = 33,6\text{ W} < 45\text{ W}$
 (Possible selection)

- ③ ITC P 630 III 30/33 LI
 $I_{rms} = 340\text{ A} < 630\text{ A}$
 $P = 33,6\text{ W} < 60\text{ W}$
 (Possible selection)

Conclusion:

- Selection # ② is recommended by Ferraz Shawmut
- easy-to-install fuse
 - most cost-efficient solution





Fused Switches ITCP for Semiconductor Fuses 32 to 800A

Selection Table: ITCP Thermal Rating vs fuse type

Reference number

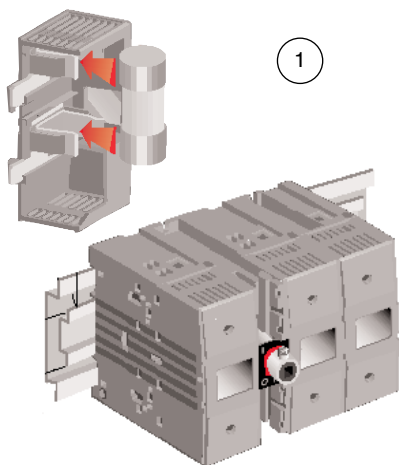
		For PROTISTOR® fuses													
ITCP Thermal Rating Open air Ambient ≤ 40°C	Max. Power loss in fuse	1 Ferrule				2 00 - 000 Solid Blades Brackets				3 End-contacts PSC					
		10 x 38	14 x 51	22 x 58	27 x 60	00P	000/ 00D80	30TT	31TT	32TT	33TT	70TT	71TT	72TT	73TT
32 A	3,5 W @ Ith 3,5 W @ Ithe	B210405 <i>J205283</i>													
50 A	7,5 W @ Ith 7,5 W @ Ithe		C210406 <i>Y209896</i>												
125 A	12 W @ Ith 12 W @ Ithe			D210407 <i>L210782</i>											
160 A (135)*	12 W @ Ith 9 W @ Ithe				E210408 <i>B210888</i>		F210409 <i>S210788</i>								
250 A (230)*	32 W @ Ith 23 W @ Ithe						G210410 <i>X210125</i>	H210411 <i>Y210126</i>	H210411 <i>Y210126</i>			J210412 <i>Z210127</i>	J210412 <i>Z210127</i>		
400 A (360)*	45 W @ Ith 34 W @ Ithe*						M210415 <i>C210130</i>	N210416 <i>D210131</i>	N210416 <i>D210131</i>	N210416 <i>D210131</i>			P210417 <i>E210132</i>	P210417 <i>E210132</i>	P210417 <i>E210132</i>
630 A (570)*	60 W @ Ith 45 W @ Ithe*							S210420 <i>H210135</i>	S210420 <i>H210135</i>	S210420 <i>H210135</i>			S210420 <i>H210135</i>	S210420 <i>H210135</i>	S210420 <i>H210135</i>
800 A (720)*	65 W @ Ith 55 W @ Ithe*							W210423 <i>M210139</i>	W210423 <i>M210139</i>	W210423 <i>M210139</i>	W210423 <i>M210139</i>	W210423 <i>M210139</i>	W210423 <i>M210139</i>	W210423 <i>M210139</i>	W210423 <i>M210139</i>

In bold letters: Switch plus accessories to be mounted (switch + connection kit + inside control + protection against fuse live parts touching + protection against terminal touching + pre-isolating microswitch) + heightening cover.

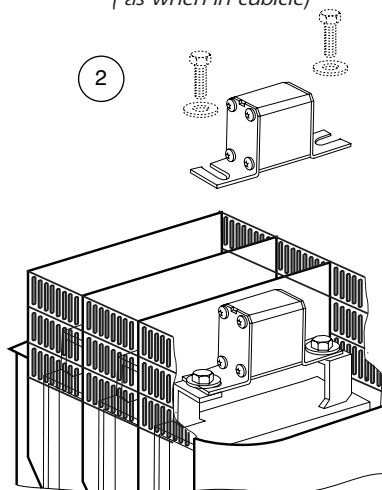
In Italics: Switch - Accessories must be ordered separately.

@ Ith : value given at switch thermal rating

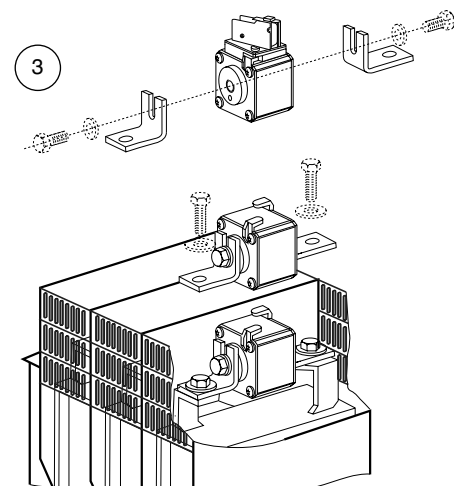
@ Ithe : value given for a shrouded switch (as when in cubicle)



ITCP FOR FERRULE FUSES



ITCP FOR BRACKET-STYLE 00 & 000 FUSES





ITCP FOR END-CONTACT FUSES



Fused Switches ITCP for Semiconductor Fuses 32 to 800A

Reference number

For PROTISTOR® fuses

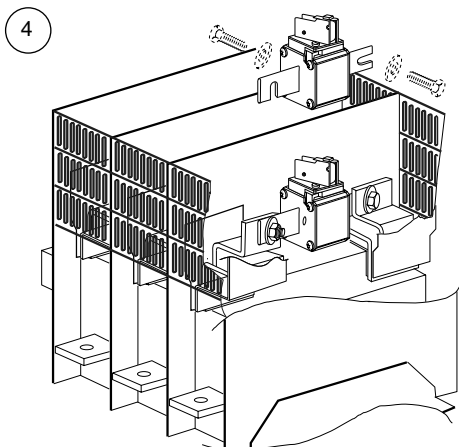
ITCP Thermal Rating Open air Ambient ≤ 40°C	Max. Power loss in fuse	German range PSC 4				American range PSC 5								
														
		30-70 DIN 110	31-71 DIN 110	32-72 DIN 110	33-73 DIN 110	Long blades				Short blades				
				30LI	31LLI	32LI	33LI	70KI	71KI	72KI	73KI			
32 A	3,5 W @ Ith 3,5 W @ Ithe													
50 A	7,5 W @ Ith 7,5 W @ Ithe													
125 A	12 W @ Ith 12 W @ Ithe													
160 A (135)*	12 W @ Ith 9 W @ Ithe													
250 A (230)*	32 W @ Ith 23 W @ Ithe	K210413 <i>A210128</i>	K210413 <i>A210128</i>					L210414 <i>B210129</i>	L210414B <i>210129</i>		L210414 <i>B210129</i>	L210414 <i>B210129</i>		
400 A (360)*	45 W @ Ith 34 W @ Ithe*	Q210418 <i>F210133</i>	Q210418 <i>F210133</i>	Q210418 <i>F210133</i>				R210419 <i>G210134</i>	R210419 <i>G210134</i>	R210419 <i>G210134</i>		R210419 <i>G210134</i>	R210419 <i>G210134</i>	R210419 <i>G210134</i>
630 A (570)*	60 W @ Ith 45 W @ Ithe*	T210421 <i>L210138</i>	T210421 <i>L210138</i>	T210421 <i>L210138</i>				V210422 <i>K210137</i>	V210422 <i>K210137</i>	V210422 <i>K210137</i>		V210422 <i>K210137</i>	V210422 <i>K210137</i>	V210422 <i>K210137</i>
800 A (720)*	65 W @ Ith 55 W @ Ithe*	X210424 <i>Q210142</i>	X210424 <i>Q210142</i>	X210424 <i>Q210142</i>	X210424 <i>Q210142</i>	Y210425 <i>P210141</i>	Y210425 <i>P210141</i>	Y210425 <i>P210141</i>	Y210425 <i>P210141</i>	Y210425 <i>P210141</i>	Y210425 <i>P210141</i>	Y210425 <i>P210141</i>	Y210425 <i>P210141</i>	Y210425 <i>P210141</i>

In bold letters: Switch plus accessories to be mounted (switch + connection kit + inside control + protection against fuse live parts touching + protection against terminal touching + pre-isolating microswitch) + heightening cover.

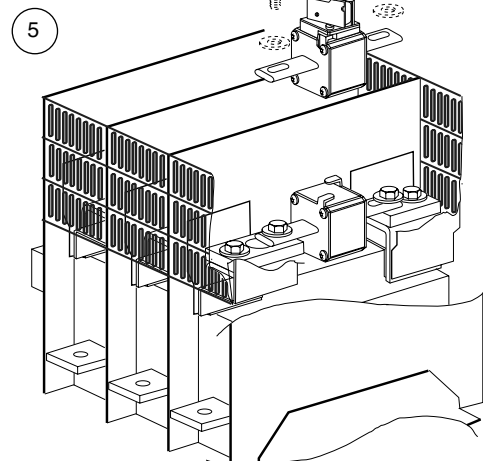
In Italics: Switch - Accessories must be ordered separately.

@ Ith : value given at switch thermal rating

@ Ithe : value given for a shrouded switch
(as when in cubicle)



ITCP FOR DIN-BLADE FUSES








Fused Switches ITCP for Semiconductor Fuses 32 to 800A

Selection Table: ITCP Thermal Rating vs fuse type

Catalog number

For PROTISTOR® fuses

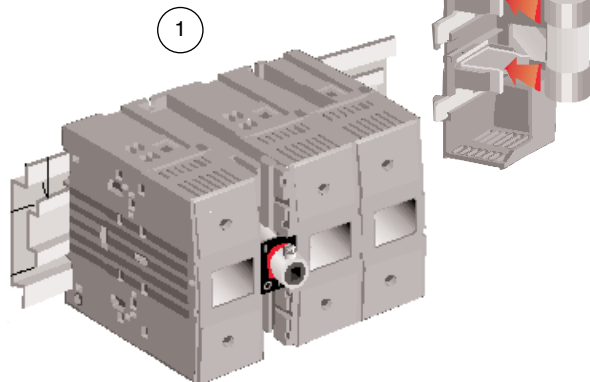
ITCP Thermal Rating Open air Ambient ≤ 40°C	Max. Power loss in fuse	For PROTISTOR® fuses					
		Ferrule				Solid Blades	
							
		10 x 38	14 x 51	22 x 58	27 x 60	00P	000/00D80
32 A	3,5 W @ Ith 3,5 W @ Ithe	ITCP32C3CP10 <i>ITCP32S3CF</i>					
50 A	7,5 W @ Ith 7,5 W @ Ithe		ITCP50C3CP14 <i>ITC50S3CF</i>				
125 A	12 W @ Ith 12 W @ Ithe			ITCP125C3CP22 <i>ITC125S3CF</i>			
160 A (135)*	12 W @ Ith 9 W @ Ithe				- <i>ITCP160K3CP27</i>	ITCP160C3D08 <i>ITC160S3CF</i>	
250 A (230)*	32 W @ Ith 23 W @ Ithe						ITCP250C3TD08 <i>ITCP250K3TD08</i>
400 A (360)*	45 W @ Ith 34 W @ Ithe*						ITCP400C3TD08 <i>ITCP400K3TD08</i>
630 A (570)*	60 W @ Ith 45 W @ Ithe*						
800 A (720)*	65 W @ Ith 55 W @ Ithe*						

In bold letters: Switch plus accessories to be mounted (switch + connection kit + inside control + protection against fuse live parts touching + protection against terminal touching + pre-isolating microswitch) + heightening cover.

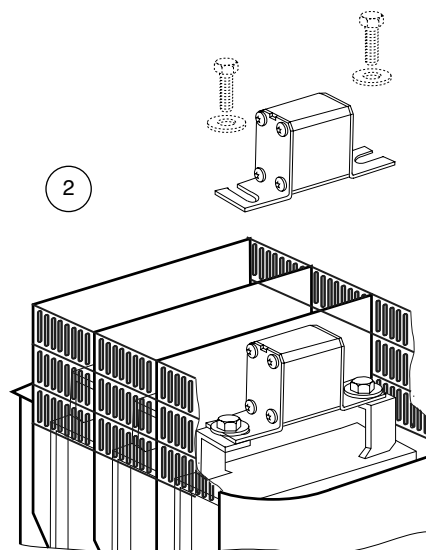
In Italics: Switch - Accessories must be ordered separately.

@ Ith : value given at switch thermal rating

@ Ithe : value given for a shrouded switch
(as when in cubicle)



ITCP FOR FERRULE FUSES



ITCP FOR BRACKET-STYLE 00 & 000 FUSES



Fused Switches ITCP for Semiconductor Fuses 32 to 800A

Catalog number

For PROTISTOR® fuses

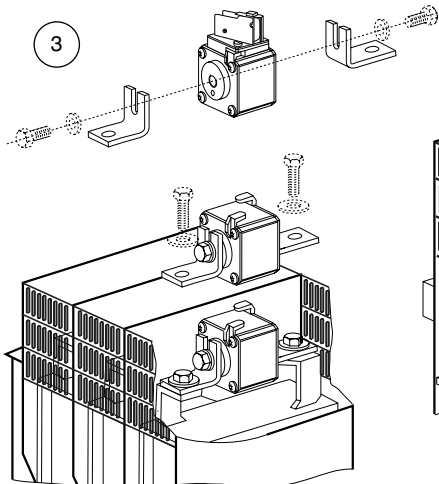
ITCP Thermal Rating Open air Ambient ≤ 40°C	Max. Power loss in fuse	End-contacts PSC							
		30TT	31TT	32TT	33TT	70TT	71TT	72TT	73TT
32 A	3,5 W @ Ith 3,5 W @ Ithe								
50 A	7,5 W @ Ith 7,5 W @ Ithe								
125 A	12 W @ Ith 12 W @ Ithe								
160 A (135)*	12 W @ Ith 9 W @ Ithe								
250 A (230)*	32 W @ Ith 23 W @ Ithe	ITCP250C3TTF3 <i>ITCP250K3TTF3</i>	ITCP250C3TTF3 <i>ITCP250K3TTF3</i>			ITCP250C3TTF7 <i>ITCP250K3TTF7</i>	ITCP250C3TTF7 <i>ITCP250K3TTF7</i>		
400 A (360)*	45 W @ Ith 34 W @ Ithe*	ITCP400C3TTF3 <i>ITCP400K3TTF3</i>	ITCP400C3TTF3 <i>ITCP400K3TTF3</i>	ITCP400C3TTF3 <i>ITCP400K3TTF3</i>		ITCP400C3TTF7 <i>ITCP400K3TTF7</i>	ITCP400C3TTF7 <i>ITCP400K3TTF7</i>	ITCP400C3TTF7 <i>ITCP400K3TTF7</i>	
630 A (570)*	60 W @ Ith 45 W @ Ithe*	ITCP630C3TTF <i>ITCP630K3TTF</i>	ITCP630C3TTF <i>ITCP630K3TTF</i>	ITCP630C3TTF <i>ITCP630K3TTF</i>		ITCP630C3TTF <i>ITCP630K3TTF</i>	ITCP630C3TTF <i>ITCP630K3TTF</i>	ITCP630C3TTF <i>ITCP630K3TTF</i>	
800 A (720)*	65 W @ Ith 55 W @ Ithe*	ITCP800C3TTF <i>ITCP800K3TTF</i>	ITCP800C3TTF <i>ITCP800K3TTF</i>	ITCP800C3TTF <i>ITCP800K3TTF</i>	ITCP800C3TTF <i>ITCP800K3TTF</i>	ITCP800C3TTF <i>ITCP800K3TTF</i>	ITCP800C3TTF <i>ITCP800K3TTF</i>	ITCP800C3TTF <i>ITCP800K3TTF</i>	ITCP800C3TTF <i>ITCP800K3TTF</i>

In bold letters: Switch plus accessories to be mounted (switch + connection kit + inside control + protection against fuse live parts touching + protection against terminal touching + pre-isolating microswitch) + heightening cover.

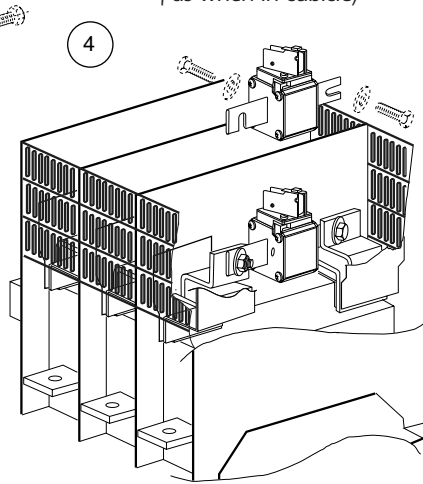
In Italics: Switch - Accessories must be ordered separately.

@ Ith : value given at switch thermal rating

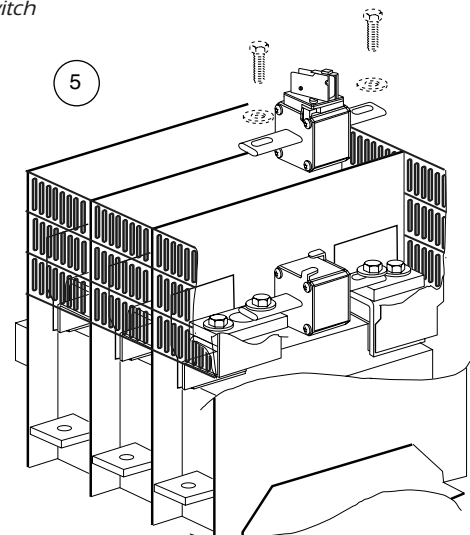
@ Ithe : value given for a shrouded switch (as when in cubicle)



ITCP FOR END-CONTACT FUSES



ITCP FOR DIN-BLADE FUSES





Fused Switches ITCP for Semiconductor Fuses 32 to 800A

Selection Table: ITCP Thermal Rating vs fuse type

Catalog number

For PROTISTOR® fuses

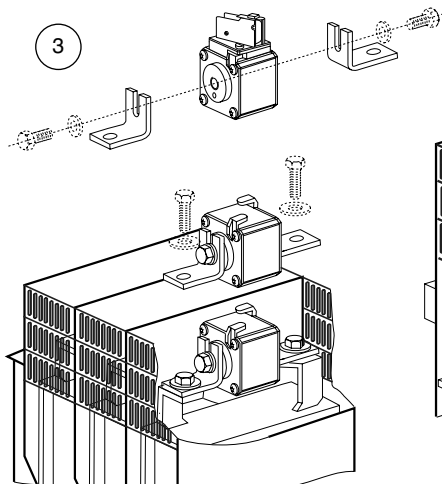
ITCP Thermal Rating Open air Ambient $\leq 40^{\circ}\text{C}$	Max. Power loss in fuse	German range PSC			
		30-70 DIN 110	31-71 DIN 110	32-72 DIN 110	33-73 DIN 110
32 A	3,5 W @ Ith 3,5 W @ Ithe				
50 A	7,5 W @ Ith 7,5 W @ Ithe				
125 A	12 W @ Ith 12 W @ Ithe				
160 A (135)*	12 W @ Ith 9 W @ Ithe				
250 A (230)*	32 W @ Ith 23 W @ Ithe	ITCP250C3D11 <i>ITCP250K3D11</i>	ITCP250C3D11 <i>ITCP250K3D11</i>		
400 A (360)*	45 W @ Ith 34 W @ Ithe*	ITCP400C3D11 <i>ITCP400K3D11</i>	ITCP400C3D11 <i>ITCP400K3D11</i>	ITCP400C3D11 <i>ITCP400K3D11</i>	
630 A (570)*	60 W @ Ith 45 W @ Ithe*	ITCP630C3D08/14 <i>ITCP630K3D11/14</i>	ITCP630C3D08/14 <i>ITCP630K3D11/14</i>	ITCP630C3D08/14 <i>ITCP630K3D11/14</i>	
800 A (720)*	65 W @ Ith 55 W @ Ithe*	ITCP800C3D08/14 <i>ITCP800K3D08/14</i>	ITCP800C3D08/14 <i>ITCP800K3D08/14</i>	ITCP800C3D08/14 <i>ITCP800K3D08/14</i>	ITCP800C3D08/14 <i>ITCP800K3D08/14</i>

In bold letters: Switch plus accessories to be mounted (switch + connection kit + inside control + protection against fuse live parts touching + protection against terminal touching + pre-isolating microswitch) + heightening cover.

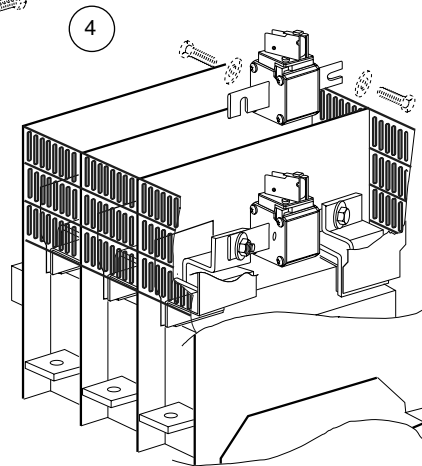
In Italics: Switch - Accessories must be ordered separately.

@ Ith : value given at switch thermal rating

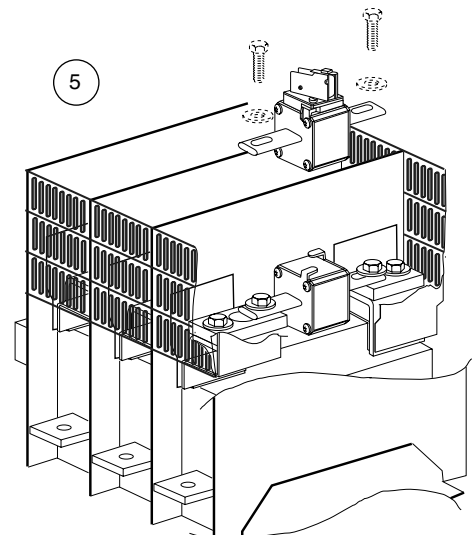
@ Ithe : value given for a shrouded switch (as when in cubicle)



ITCP FOR END-CONTACT FUSES



ITCP FOR DIN-BLADE FUSES





Fused Switches ITCP for Semiconductor Fuses 32 to 800A

Catalog number

For PROTISTOR® fuses

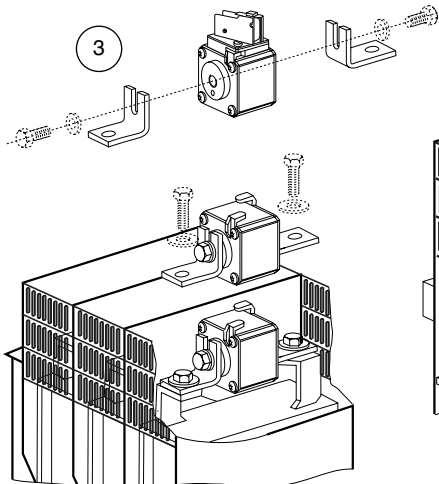
ITCP Thermal Rating Open air Ambient ≤ 40°C	Max. Power loss in fuse	American range PSC							
		Long blades				Short blades			
		30LI	31LI	32LI	33LI	70KI	71KI	72KI	73KI
32 A	3,5 W @ Ith 3,5 W @ Ithe								
50 A	7,5 W @ Ith 7,5 W @ Ithe								
125 A	12 W @ Ith 12 W @ Ithe								
160 A (135)*	12 W @ Ith 9 W @ Ithe								
250 A (230)*	32 W @ Ith 23 W @ Ithe	ITCP250C3US <i>ITCP250K3US</i>	ITCP250C3US <i>ITCP250K3US</i>			ITCP250C3US <i>ITCP250K3US</i>	ITCP250C3US <i>ITCP250K3US</i>		
400 A (360)*	45 W @ Ith 34 W @ Ithe*	ITCP400C3US <i>ITCP400K3US</i>	ITCP400C3US <i>ITCP400K3US</i>	ITCP400C3US <i>ITCP400K3US</i>		ITCP400C3US <i>ITCP400K3US</i>	ITCP400C3US <i>ITCP400K3US</i>	ITCP400C3US <i>ITCP400K3US</i>	
630 A (570)*	60 W @ Ith 45 W @ Ithe*	ITCP630C3US <i>ITCP630K3US</i>	ITCP630C3US <i>ITCP630K3US</i>	ITCP630C3US <i>ITCP630K3US</i>		ITCP630C3US <i>ITCP630K3US</i>	ITCP630C3US <i>ITCP630K3US</i>	ITCP630C3US <i>ITCP630K3US</i>	
800 A (720)*	65 W @ Ith 55 W @ Ithe*	ITCP800C3US <i>ITCP800K3US</i>	ITCP800C3US <i>ITCP800K3US</i>	ITCP800C3US <i>ITCP800K3US</i>	ITCP800C3US <i>ITCP800K3US</i>	ITCP800C3US <i>ITCP800K3US</i>	ITCP800C3US <i>ITCP800K3US</i>	ITCP800C3US <i>ITCP800K3US</i>	ITCP800C3US <i>ITCP800K3US</i>

In bold letters: Switch plus accessories to be mounted (switch + connection kit + inside control + protection against fuse live parts touching + protection against terminal touching + pre-isolating microswitch) + heightening cover.

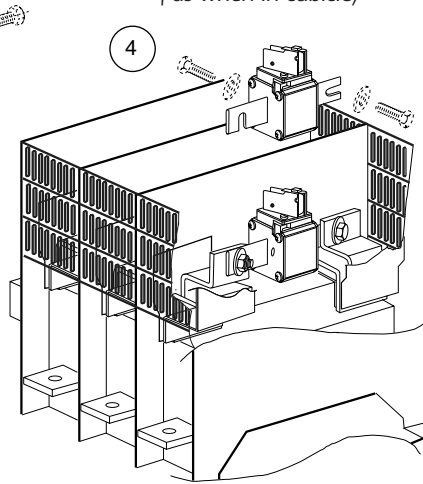
In italics: Switch - Accessories must be ordered separately.

@ Ith : value given at switch thermal rating

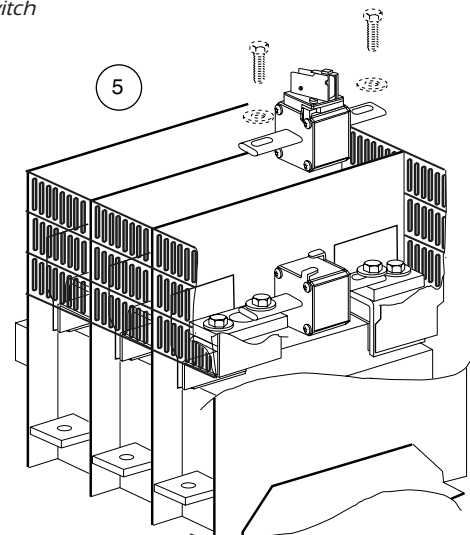
@ Ithe : value given for a shrouded switch (as when in cubicle)



ITCP FOR END-CONTACT FUSES



ITCP FOR DIN-BLADE FUSES





Fused Switches ITCP for Semiconductor Fuses 32 to 800A

Reference number

		Ready-to-install complete switch **			Separate switch with kit for connecting fuses		
Thermal Rating Ith (A)	Fuse Type	Complete switch Reference Number	Designation Switch supplied with black & red handle, 2 auxiliary pre-isolating contacts NO & NC, blown fuse indication for ferrule fuses, protection against fuse live parts touching, protection against terminal touching and heightening cover.		Separate Switch Reference Number	Connection kit Reference Number	Switch plus mounted connection kit Ref. Number
32	10x38	B 210 405	ITCP 32 III 10x38	COMPLETE	J 205 283
50	14x51	C 210 406	ITCP 50 III 14x51	COMPLETE	Y 209 896
125	22x58	D 210 407	ITCP 125 III 22x58	COMPLETE	L 210 782
160	27x60	E 210 408	ITCP 160 III 27x60	COMPLETE	B 210 888
160	00P	F 210 409	ITCP 160 III 00	COMPLETE	S 210 788
250	000/00DIN80	G 210 410	ITCP 250 III 00/000 TD08	COMPLETE	C 210 038	M 210 047	X 210 125
	30 to 31 TTF	H 210 411	ITCP 250 III 30-31 TTF	COMPLETE		K 210 045	Y 210 126
	70 to 71 TTF	J 210 412	ITCP 250 III 70-71 TTF	COMPLETE		L 210 046	Z 210 127
	30 to 31 LI 70 to 71 KI	L210 414	ITCP 250 III 30-31 LI/70-71 KI	COMPLETE		N 210 048	B 210 129
400	000/00DIN80	M 210 415	ITCP 400 III 00/000 TD08	COMPLETE	D 210 039	M 210 047	C 210 130
	30 to 32 TTF	N 210 416	ITCP 400 III 30-32 TTF	COMPLETE		K 210 045	D 210 131
	70 to 72 TTF	P 210 417	ITCP 400 III 70-72 TTF	COMPLETE		L 210 046	E 210 132
	30 to 32 DIN 110 70 to 72 DIN 110	Q 210 418 #	ITCP 400 III 30-32/70-72 D11 #	COMPLETE		H 210 043	F 210 133 #
	30 to 32 LI 70 to 72 KI	R 210 419	ITCP 400 III 30-32 LI/70-72 KI	COMPLETE		N 210 048	G 210 134
630	30 to 33 TTF 70 to 72 TTF	S 210 420	ITCP 630 III 30-33/70-73 TTF	COMPLETE	E 210 040	Q 210 050	H 210 135
	30 to 33 DIN 110 70 to 73 DIN 110	T 210 421#	ITCP 630 III 30-33/70-73 D08 à 14	COMPLETE		P 210 049	L 210 138 #
	30 to 33 LI 70 to 73 KI	V 210 422	ITCP 630 III 30-33 LI/70-73 KI	COMPLETE		S 210 052	K 210 137
800	30 to 33 TTF 70 to 73 TTF	W 210 423	ITCP 800 III 30-33/70-73 TTF	COMPLETE	F 210 041	Q 210 050	M 210 139
	30 to 33 DIN 110 70 to 73 DIN 110	X 210 424 #	ITCP 800 III 30-33/70-73 D08 à 14 #	COMPLETE		P 210 049	Q 210 142 #
	30 to 33 LI 70 to 73 KI	Y 210 425	ITCP 800 III 30-33 LI/70-73 KI	COMPLETE		S 210 052	P 210 141

** Connection parts are not mounted on TTF fuses due to a distance between connection axes depending on height of fuse body variation which is +/- 1mm

In-factory adjustments for DIN 110 blade fuses



Fused Switches ITCP for Semiconductor Fuses 32 to 800A

Reference number

Thermal Rating Ith (A)	Fuse Type	Accessories						
		Inside handle Black & Red (Internal control)	Outside handle ① Black & Red ② Red & Yellow (Internal control)	Shaft extension for outside handle if needed	Pre-isolating auxiliary contact (MC) ①②③④⑤⑥	Blown fuse indication auxiliary contact (DPMM) ①②③④	Protection against fuse live parts touching (CPT)*	Terminal cover (CB) * 1 CB per terminal
32	10x38	N 205 287	① V 209 916 ② C 210 084	H 081 703 265 mm shaft	③ P 205 288 ou G 210633 + ① L 207 493 ② H 209 882	③ Q 205 289	Built-in	Built-in
50	14x51	E 210 109	① M 209 909 ② N 209 910 150 mm shaft	B 210 106 290 mm shaft	① L 207 493 8 contacts maximum ② H 209 882	Z 210 104 (1 NO & 1 NC)	Built-in	Built-in
125	22x58					A 210 473 (1 NO & 1 NC) For 2 NO or 2 NC order L 207 493 H 209 882	Built-in	N 210 807
160	27x60							
160	00P							
250	000/00 DIN80	Q 209 912 To be ordered with a protection screen against fuse live part touching	① Q 209 912 ② R 209 913 250 mm shaft	L 097 093 395 mm shaft	④ S 086 588 ⑤ L 097 300 ⑥ J 208 020	Function of fuse type See Semiconductor Fuse section	without blown fuse indication G 207 305	* M 096 657
	30 to 31 TTF						With blown fuse indication G 207 305 + Y 210 770	
	70 to 71 TTF							
	30 to 31 LI 70 to 71 KI							
400	000/00 DIN80	Q 209 912 To be ordered with a protection screen against fuse live part touching	① Q 209 912 ② R 209 913 250 mm shaft	L 097 093 395 mm shaft	④ S 086 588 ⑤ L 097 300 ⑥ J 208 020	Function of fuse type See Semiconductor Fuse section	without blown fuse indication J 207 307	* M 096 657
	30 to 32 TTF							
	70 to 72 TTF							
	30 to 32 DIN 110 70 to 72 DIN 110							
	30 to 32 LI 70 to 72 KI							
630	30 to 33 TTF 70 to 72 TTF	Q 209 912 To be ordered with a protection screen against fuse live part touching	① Q 209 912 ② R 209 913 250 mm shaft	L 097 093 395 mm shaft	④ S 086 588 ⑤ L 097 300 ⑥ J 208 020	Function of fuse type See Semiconductor Fuse section	Without blown fuse indication L 207 309	* S 095 880
	30 to 33 DIN 110 70 to 73 DIN 110						With blown fuse indication L 207 309 + Y 210 770	
	30 to 33 LI 70 to 73 KI							
	30 to 33 TTF 70 to 73 TTF							
800	30 to 33 DIN 110 70 to 73 DIN 110	Q 209 912 To be ordered with a protection screen against fuse live part touching	① Q 209 912 ② R 209 913 250 mm shaft	L 097 093 395 mm shaft	④ S 086 588 ⑤ L 097 300 ⑥ J 208 020	Function of fuse type See Semiconductor Fuse section	Without blown fuse indication Z 210 771	* S 095 880
	30 to 33 LI 70 to 73 KI						With blown fuse indication Z 210 771+ Y 210 770	
	30 to 33 TTF 70 to 73 TTF							

* With outside control, a locking mechanism of cover can be used. When switch is ON, this mechanism locks the cover (e.g. test of fuse live part touching protection, servicing of circuit when cubicle open)

TYPES OF AUXILIARY CONTACTS

- ① Single microswitch 1 NO
- ② Single microswitch 1 NC
- ③ Reversing microswitch 1 NO/NC
- ④ Microswitch 1 NO & 1 NC
- ⑤ Twin microswitch 2 NO & 2 NC
- ⑥ Microswitch 1 NO & 1 NC low level



Fused Switches ITCP for Semiconductor Fuses 32 to 800A

Catalog number

		Ready-to-install complete switch **			Separate switch with kit for connecting fuses		
Thermal Rating Ith (A)	Fuse Type	Complete switch catalog Number	Designation Switch supplied with black & red handle, 2 auxiliary pre-isolating contacts NO & NC, blown fuse indication for ferrule fuses, protection against fuse live parts touching, protection against terminal touching and heightening cover.		Separate Switch Catalog Number	Connection kit Catalog Number	Switch plus mounted connection kit Cat. Number
32	10x38	ITCP32C3CP10	ITCP 32 III 10x38	COMPLETE	ITC32S3CF
50	14x51	ITCP50C3CP14	ITCP 50 III 14x51	COMPLETE	ITC50S3CF
125	22x58	ITCP125C3CP22	ITCP 125 III 22x58	COMPLETE	ITC125S3CF
160	27x60	-	ITCP 160 III 27x60	COMPLETE	ITCP160K3CP27
160	00P	ITCP160C3D08	ITCP 160 III 00	COMPLETE	ITC160S3CF
250	000/00DIN80	ITCP250C3TD08	ITCP 250 III 00/00 TD08	COMPLETE	ITCP250S3	KITCP250/400TD8	ITCP250K3TD08
	30 to 31 TTF	ITCP250C3TTF3	ITCP 250 III 30-31 TTF	COMPLETE		KITCP250/400TTF3	ITCP250K3TTF3
	70 to 71 TTF	ITCP250C3TTF7	ITCP 250 III 70-71 TTF	COMPLETE		KITCP250/400TTF7	ITCP250K3TTF7
	30 to 31 LI 70 to 71 KI	ITCP250C3US	ITCP 250 III 30-31 LI/70-71 KI	COMPLETE		KITCP250/400US	ITCP250K3US
400	000/00DIN80	ITCP400C3TD08	ITCP 400 III 00/00 TD08	COMPLETE	ITCP400S3	KITCP250/400TD8	ITCP400K3TD08
	30 to 32 TTF	ITCP400C3TTF3	ITCP 400 III 30-32 TTF	COMPLETE		KITCP250/400TTF3	ITCP400K3TTF3
	70 to 72 TTF	ITCP400C3TTF7	ITCP 400 III 70-72 TTF	COMPLETE		KITCP250/400TTF7	ITCP400K3TTF7
	30 to 32 DIN 110 70 to 72 DIN 110	ITCP400C3D11	ITCP 400 III 30-32/70-72 D11 #	COMPLETE		KITCP250/400D11	ITCP400K3D11
	30 to 32 LI 70 to 72 KI	ITCP400C3US	ITCP 400 III 30-32 LI/70-72 KI	COMPLETE		KITCP250/400US	ITCP400K3US
630	30 to 33 TTF 70 to 72 TTF	ITCP630C3TTF	ITCP 630 III 30-33/70-73 TTF	COMPLETE	ITCP630S3	KITCP630/800TTF	ITCP630K3TTF
	30 to 33 DIN 110 70 to 73 DIN 110	ITCP630C3D08/14	ITCP 630 III 30-33/70-73 D08 à 14	COMPLETE		KITCP630/800D	ITCP630K3D11/14
	30 to 33 LI 70 to 73 KI	ITCP630C3US	ITCP 630 III 30-33 LI/70-73 KI	COMPLETE		KITCP630/800US	ITCP630K3US
800	30 to 33 TTF 70 to 73 TTF	ITCP800C3TTF	ITCP 800 III 30-33/70-73 TTF	COMPLETE	ITCP800S3	KITCP630/800TTF	ITCP800K3TTF
	30 to 33 DIN 110 70 to 73 DIN 110	ITCP800C3D08/14	ITCP 800 III 30-33/70-73 D08 à 14 #	COMPLETE		KITCP630/800D	ITCP800K3D08/14
	30 to 33 LI 70 to 73 KI	ITCP800C3US	ITCP 800 III 30-33 LI/70-73 KI	COMPLETE		KITCP630/800US	ITCP800K3US

** Connection parts are not mounted on TTF fuses due to a distance between connection axes depending on height of fuse body variation which is +/- 1mm

In-factory adjustments for DIN 110 blade fuses



Fused Switches ITCP for Semiconductor Fuses 32 to 800A

Catalog number

Thermal Rating Ith (A)	Fuse Type	Accessories						
		Inside handle Black & Red (Internal control)	Outside handle ① Black & Red ② Red & Yellow (Internal control)	Shaft extension for outside handle if needed	Pre-isolating auxiliary contact (MC) ①②③④⑤⑥	Blown fuse indication auxiliary contact (DPMM) ①②③④	Protection against fuse live parts touching (CPT)*	Terminal cover (CB) * 1 CB per terminal
32	10x38		① ②	265 mm shaft	③ ou ① ②	③	Built-in	Built-in
50	14x51				①	(1 NO & 1 NC)	Built-in	Built-in
125	22x58		① ②					
160	27x60		150 mm shaft	290 mm shaft	8 contacts maximum	(1 NO & 1 NC) For 2 NO or 2 NC order L 207 493	Built-in	
160	00P				②	No indication		
250	000/00 DIN80	To be ordered with a protection screen against fuse live part touching	① ②	250 mm shaft	395 mm shaft	④ ⑤ ⑥	Function of fuse type See Semiconductor Fuse section	without blown fuse indication
	30 to 31 TTF							With blown fuse indication
	70 to 71 TTF							
	30 to 31 LI 70 to 71 KI							
400	000/00 DIN80	To be ordered with a protection screen against fuse live part touching	① ②	250 mm shaft	395 mm shaft	④ ⑤ ⑥	Function of fuse type See Semiconductor Fuse section	without blown fuse indication
	30 to 32 TTF							With blown fuse indication
	70 to 72 TTF							
	30 to 32 DIN 110 70 to 72 DIN 110							
	30 to 32 LI 70 to 72 KI							
630	30 to 33 TTF 70 to 72 TTF	To be ordered with a protection screen against fuse live part touching	① ②	250 mm shaft	395 mm shaft	④ ⑤ ⑥	Function of fuse type See Semiconductor Fuse section	Without blown fuse indication
	30 to 33 DIN 110 70 to 73 DIN 110							With blown fuse indication
	30 to 33 LI							
	70 to 73 KI							
800	30 to 33 TTF 70 to 73 TTF	To be ordered with a protection screen against fuse live part touching	① ②	250 mm shaft	395 mm shaft	④ ⑤ ⑥	Function of fuse type See Semiconductor Fuse section	Without blown fuse indication
	30 to 33 DIN 110 70 to 73 DIN 110							With blown fuse indication
	30 to 33 LI 70 to 73 KI							

* With outside control, a locking mechanism of cover can be used. When switch is ON, this mechanism locks the cover (e.g. test of fuse live part touching protection, servicing of circuit when cubicle open)

TYPES OF AUXILIARY CONTACTS

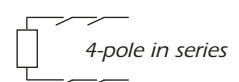
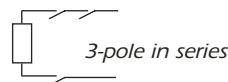
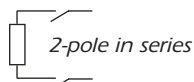
- ① Single microswitch 1 NO
- ② Single microswitch 1 NC
- ③ Reversing microswitch 1 NO/NC
- ④ Microswitch 1 NO & 1 NC
- ⑤ Twin microswitch 2 NO & 2 NC
- ⑥ Microswitch 1 NO & 1 NC low level



Fused Switches ITCP for Semiconductor Fuses 32 to 800A

ITCP Fused Switch-disconnectors							
Electrical characteristics		ITCP 32	ITCP 50	ITCP 125	ITCP 160		
Thermal rating (1) ■ open air Ith:	Ith (A)	32	50	125	160		
	■ in cubicle Ithe:	Ithe	32	50	125	160	
Rated voltage	AC-20 DC-20 (V)	1000	1000	1000	1000		
Rated insulation voltage	Ui (V)	1000	1000	1000	1000		
Rated impulse withstand voltage	(kV)	12	12	12	12		
PROTISTOR® fuse type	Ferrule	10x38	14x51	22x58	27x60		
	00-000	-	-	-	00P		
	End-contacts PSC	-	-	-	-		
	American PSC	-	-	-	-		
	DIN PSC	-	-	-	-		
Maximum power losses per fuse # (w)		3,5 @ Ith	7,5 @ Ith	12 @ Ith	12 @ Ith		
		3,5 @ Ithe	7,5 @ Ithe	12 @ Ithe	9 @ Ithe		
RMS short-circuit rated current with fuses (kA)	500 V	25	50	50	50		
	690 V						
Interrupting rating (AC23) Ic (A)							
Operating rated voltage:	Ue {	500 V	256	504	800	800	
		690 V	256	320	405	405	
AC23	Operating rated current Ie (1) Power class	Ie en (A) Ue {	≤ 500 V	32	50	125	160
			690 V	32	50	125	160
	Operating rated power P (kW) with a 1500 rpm asynchronous 3-phase motor	P en (W) Ue {	400 V	15	25	55	55
			500 V	18	33	70	70
	690 V	25	45	45	45		
DC23	Operating rated current / poles in series** Ie (A)	Ue {	110-220V	32/2	-	125/3	160/3
			440V	32/4	-	100/4*	100/4*
			500-750V	-	-	-	-
(Ue: operating rated voltage)							
Mechanical endurance: number of operating cycles			10 000	10 000	10 000	10 000	
Electrical endurance: number of operating cycles at Ith and cosj 0,65	500 V	-	1500	1500	1000		
	690 V	1500	-	(I=100A)	-		
Power losses per pole (without fusible)		(W)	2	2.5	12	12	
Permissible short-duration current 1s		(kA)	1	2.5	5	5	

** Poles in series: to be completed by user



(1) For ambient 50°C = x0.9, 60°C : x0.8. Pour fusible horizontal: x0.9.

* Use in class B

** To be completed by user

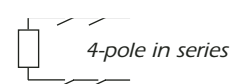
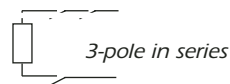
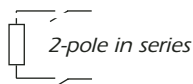
Value given at thermal rating, for a switch in open air (Ith) and for a shrouded switch (Ithe) e.g. as in cubicle.



Fused Switches ITCP for Semiconductor Fuses 32 to 800A

ITCP Fused Switch-disconnectors				
Electrical characteristics		ITCP 250	ITC 400	
Thermal rating (1)	▪ open air I_{th} :	I_{th} (A)	250	400
	▪ in cubicle I_{the} :	I_{the}	230	360
Rated voltage	AC-20 DC-20 (V)	1000	1000	
Rated insulation voltage	U_i (V)	1000	1000	
Rated impulse withstand voltage	(kV)	12	12	
PROTISTOR® fuse type	Ferrule	-	-	
	00-000	000/00/D80	000/00/D80	
	End-contacts PSC	3031 TT - 7071 TT	3031TT - 7071TT	
	American PSC	30LI - 31LLI 70KI - 71KI	30LI - 31LIJ - 32LI 70KI - 71KI - 72KI	
	DIN PSC	30-31 & 70-71 DIN110	30-31-32 & 70-71-72 DIN110	
Maximum power losses per fuse # (w)		32 @ I_{th} 23 @ I_{the}	45 @ I_{th} 34 @ I_{the}	
RMS short-circuit rated current with fuses (kA)	500 V	100	100	
	690 V	50	50	
Interrupting rating (AC23) I_c (A)	U_e { 500 V 690 V	2000	3200	
Operating rated voltage:		2000	3200	
AC23	Operating rated current I_e (1) Power class	I_e en (A) U_e { \leq 500 V	200	400
		690 V	200	400
	Operating rated power P (kW) with a 1500 rpm asynchronous 3-phase motor	P en (W) U_e { 400 V	15	210
		500 V 690 V	170 230	280 330
(U _e : operating rated voltage)				
DC23	Operating rated current / poles in series** I_e (A)	U_e { 110-220V	250 /2	400 /2
		440V	250 /2	400 /2
		500-750V	200 /3	400 /3
(U _e : operating rated voltage)				
Mechanical endurance: number of operating cycles		8 000	8 000	
Electrical endurance: number of operating cycles at I_{th} and $\cos\phi$ 0,65	500 V	-	-	
	690 V	8 000	8 000	
Power losses per pole (without fusible)	(W)	5	30	
Permissible short-duration current 1 s	(kA)	8	10	

** Poles in series: to be completed by user



(1) For ambient 50°C = x0.9, 60°C : x0.8. Pour fusible horizontal: x0.9.

* Use in class B

** To be completed by user

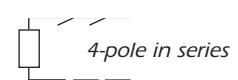
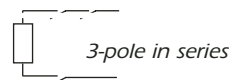
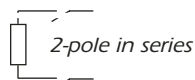
Value given at thermal rating, for a switch in open air (I_{th}) and for a shrouded switch (I_{the}) e.g. as in cubicle.



Fused Switches ITCP for Semiconductor Fuses 32 to 800A

ITCP Fused Switch-disconnectors			ITCP 630	ITCP 800	
Electrical characteristics					
Thermal rating (1)	▪ open air I _{th} :	I _{th} (A)	630	800	
	▪ in cubicle I _{the} :	I _{the}	600	720	
Rated voltage	AC-20 DC-20 (V)		1000	1000	
Rated insulation voltage	U _i (V)		1000	1000	
Rated impulse withstand voltage	(kV)		12	12	
PROTISTOR® fuse type	Ferrule		-	-	
	00-000		-	-	
	End-contacts PSC		32TT - 72TT	32TT - 33TT 72TT - 73TT	
	American PSC		30LI - 31LLI - 32 LI 70KI - 71KI - 72KI	30LI - 31LLI - 32LI - 33LI 70KI - 71KI - 72KI - 73KI	
DIN PSC		30-31-32 & 70-71-72 DIN110	30-31-32-33 & 70-71-72-73 DIN110		
Maximum power losses per fuse # (w)			60 @ I _{th} 45 @ I _{the}	65 @ I _{th} 55 @ I _{the}	
RMS short-circuit rated current with fuses (kA)	500 V		100	100	
	690 V		50	50	
Interrupting rating (AC23) I _c (A)	U _e {	500 V	5760	5760	
Operating rated voltage:		690 V	5760	5760	
AC23	Operating rated current I _e (1) Power class	I _e en (A) U _e {	≤ 500 V	630	720
			690 V	630	720
	Operating rated power P (kW) with a 1500 rpm asynchronous 3-phase motor	P en (W) U _e {	400 V	315	350
		500 V	400	470	
		690 V	540	600	
	(U _e : operating rated voltage)				
DC23	Operating rated current / poles in series** I _e (A)	U _e {	110-220V	630 /2	800 /2
			440V	630 /2	800 /2
			500-750V	630 /3	800 /3
	(U _e : operating rated voltage)				
Mechanical endurance: number of operating cycles			5 000	5 000	
Electrical endurance: number of operating cycles at I _{th} and cosj 0,65	500 V		-	(cosj = 0.6)	
	690 V		5 000	500	
Power losses per pole (without fusible)	(W)		55	77	
Permissible short-duration current I _s	(kA)		16	16	

** Poles in series: to be completed by user



(1) For ambient 50°C = x0.9, 60°C : x0.8. Pour fusible horizontal: x0.9.

* Use in class B

** To be completed by user

Value given at thermal rating, for a switch in open air (I_{th}) and for a shrouded switch (I_{the}) e.g. as in cubicle.



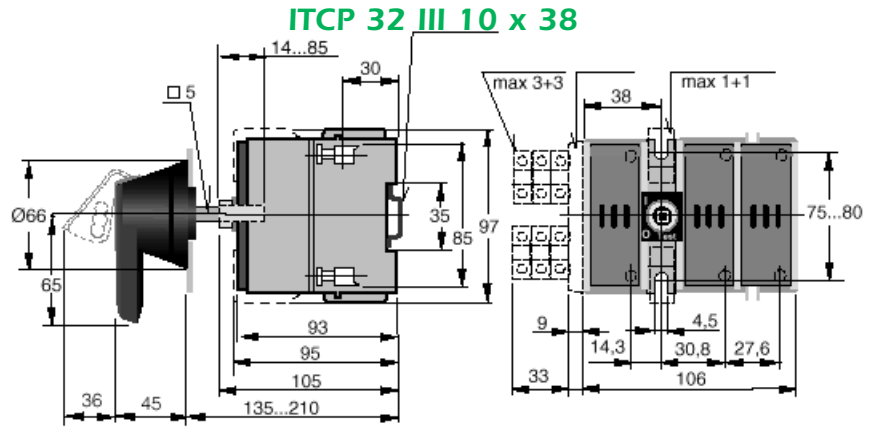
Fused Switches ITCP for Semiconductor Fuses 32 to 800A

Dimensions and weight ITC Protistor

Weight: 0.7 kg

Terminal tightening torque:
Mini.: 1.6 N.m ■ Maxi. 2.4 N.m

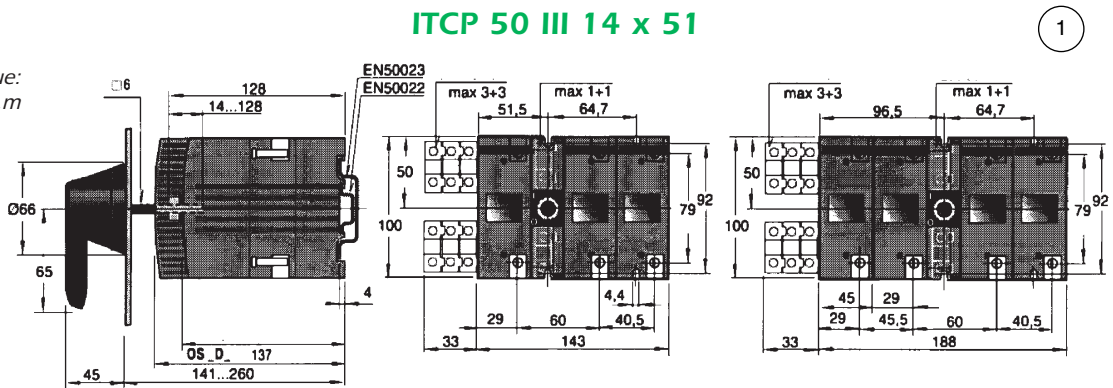
Section of copper cables:
0.5 to 10 mm²



Weight: 1.6 kg.

Terminal tightening torque:
Mini.: 4 N.m ■ Maxi. 6 N.m

Section of copper cables:
2.5 to 25 mm²

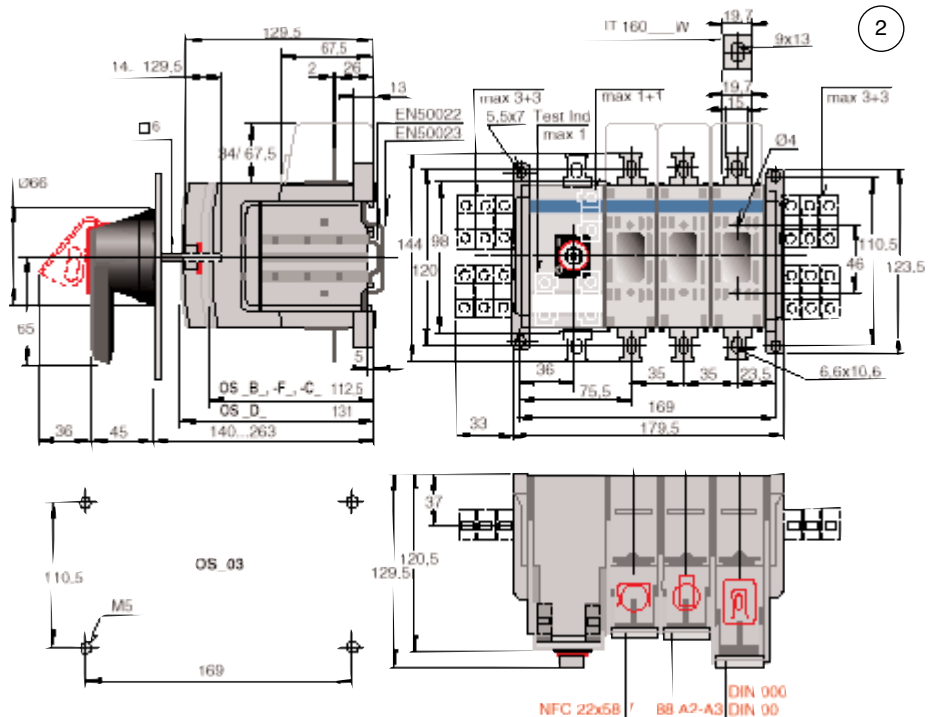


ITCP 125 III 22 x 58 - ITCP 160 III 27 x 60 - ITCP 160 III 00

Weight: 1.8 kg.

Terminal tightening torque:
Mini.: 5 N.m ■ Maxi.: 7 N.m

Connection:
torque 20 mm with M8 bolt





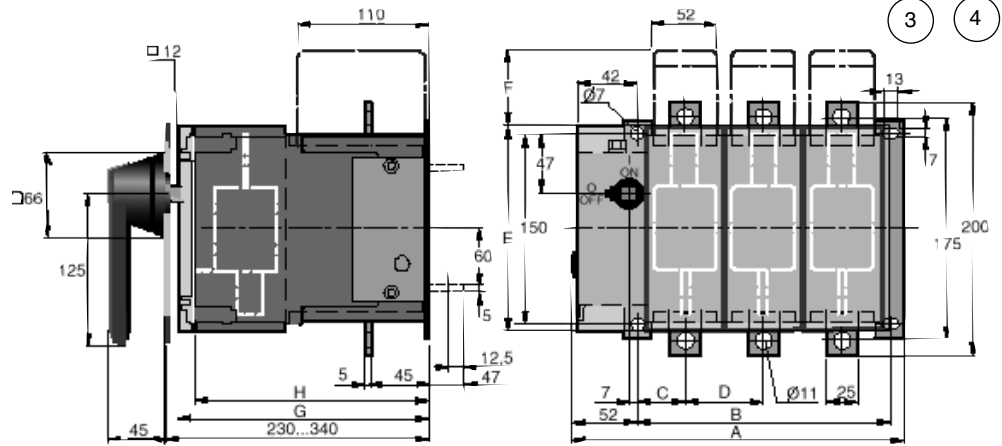
Fused Switches ITCP for Semiconductor Fuses 32 to 800A

TCP 250 III D80 - ITCP 250 III 30 LI - 31 LLI - ITCP 250 III 30-31 TTF
ITCP 250 III 70-71 TTF - ITCP 250 III 30-31 DIN - 110 / 70-71 DIN 110

Weight: 7 kg.

Terminal tightening torque:
Mini.: 30 N.m ■ Maxi.: 44 N.m

Connecting:
torque 25 mm per terminal
with M10 bolt



TCP 400 III D80 - ITCP 400 III 30-32 LI - 31 LLI - 70-72 KI - ITCP 400 III 30-31 TTF
ITCP 400 III 70-71 TTF - ITCP 400 III 30-32 DIN 110 / 70-72 DIN 110

Weight: 8 kg.

Terminal tightening torque:
Mini.: 30 N.m ■ Maxi.: 44 N.m

Connecting:
torque 25 mm per terminal with M10 bolt

	A	B	C	D	E	F	G*	H	*With booster
ITCP 250 D III	262	198	37	62	162	60	199	185	G + 41
ITCP 400 D III	286	222	41	70	180	51	206	192	G + 41

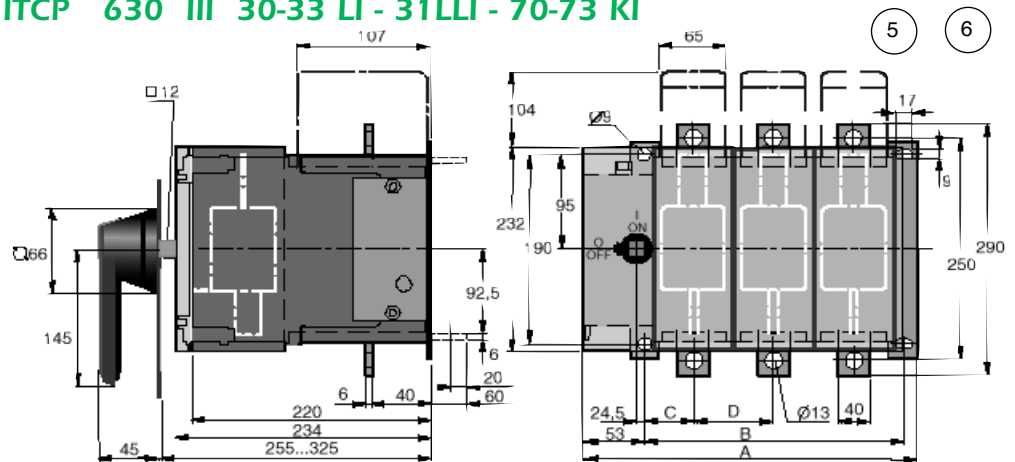
* With protection cover against live part touching, and if blown fuse indication auxiliary contacts are used, lengthening of G is necessary.

ITCP 630 III 30-33 / 70-73 TTF - ITCP 630 III 30-33 / 70-73 DIN 80 to 140
ITCP 630 III 30-33 LI - 31 LLI - 70-73 KI

Weight: 15 kg.

Terminal tightening torque:
Mini.: 50 N.m ■ Maxi.: 75 N.m

Connecting:
torque 40 mm per terminal
with M12 bolt



ITCP 800 III 30-33 / 70-73 TTF - ITCP 800 III 30-33 / 70-73 DIN 80 to 140
ITCP 800 III 30-33 LI - 31 LLI - 70-73 KI

Weight: 19 kg.

Terminal tightening torque:
Mini.: 50 N.m ■ Maxi.: 75 N.m

Connecting:
torque 40 mm per terminal
with M12 bolt

	A	B	C	D	G* With booster
ITCP 630 D III	343	278	59	80	275
ITCP 800 D III	373	308	64	90	275

* With protection cover against live part touching, and if blown fuse indication auxiliary contacts are used, lengthening of G is necessary.

Drilling diagram for
outside control

