

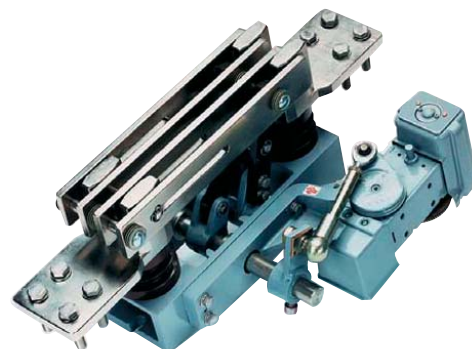
## Medium Voltage Disconnectors

**SAS Range**

**3.6 kV**

**4.0 kA DC**

- Large isolation air and creepage path
- Self-cleaning blade contacts
- True opening and visible distance
- Rugged anti-torsion construction
- Large customisation with :
  - Manual, motor, pneumatic drives
  - Auxiliary switches, blocking magnets
- According to IEC 62271-102
- Dimensions Fitting



### Electrical Characteristics

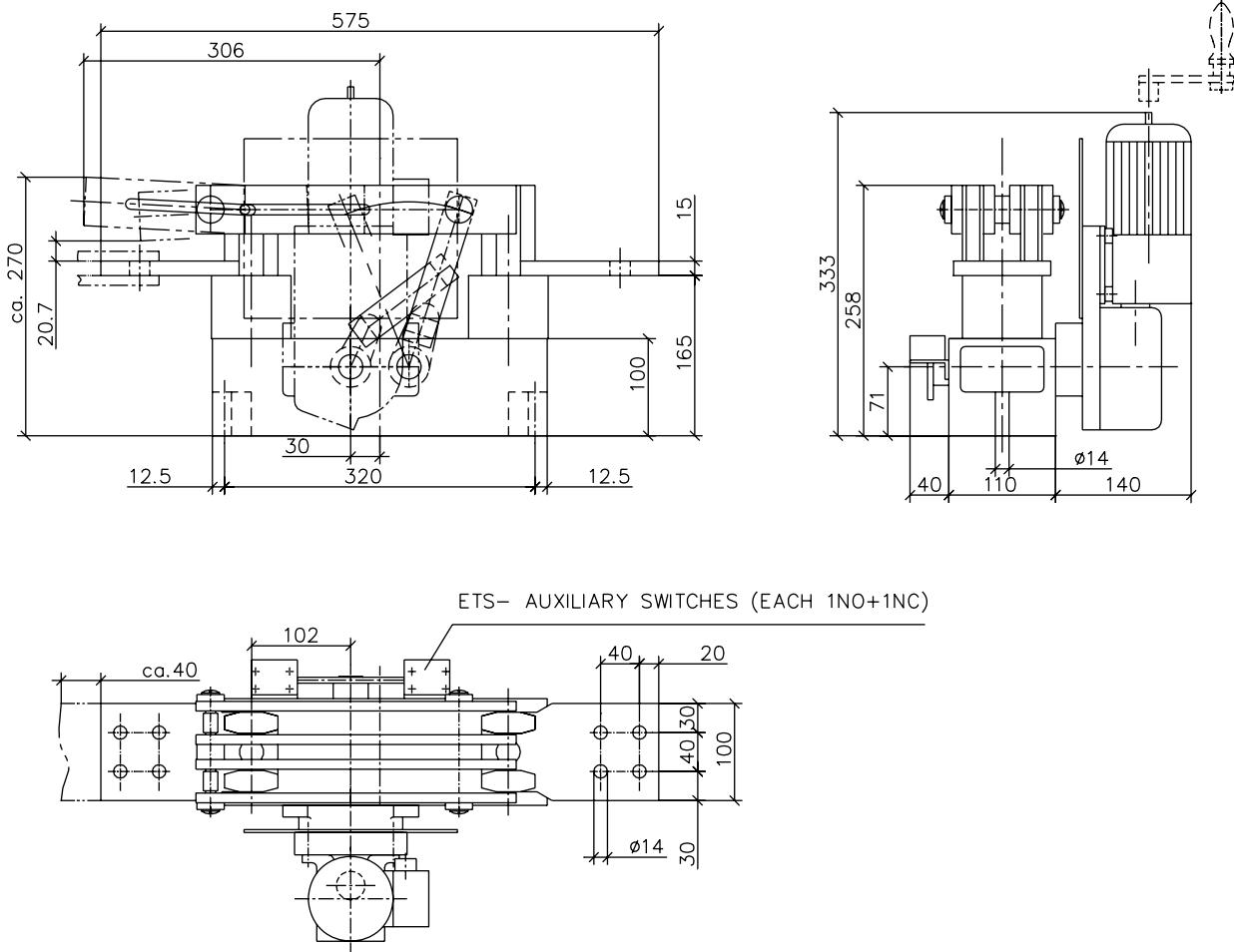
Rated thermal current DC (kA)	RMS 1 sec short-time withstand current (kA)	Rated peak current (kA)
4	71	177

Dielectric withstand voltage 1 min/50 Hz		Rated impulse withstand voltage BIL	
Phase to earth (kV)	Across the isolating distance (kV)	Phase to earth (kV)	Across the isolating distance (kV)
10	12	40	46

- No-load operation
- Indoor type – only vertical mounting
- Mechanical endurance:  $\leq 1\text{ kA} = 25\ 000$  cycles;  $>1\text{ kA} = 50\ 000$  cycles (open / close)
- Maximum temperature withstand at  $130^\circ\text{ C}$  without damages to the switch
- Electrical contact by contact knives with pressed on hard silver contact rivets and silver-plated electrolytic copper plates
- Small making / breaking capacity (on demand)
- Supporting insulators made of cast epoxy resin (fire classification according to UL94-V1)

## Main dimensions

### SAS 3.6 kV 4.0 kAmp (DC)



Ferraz Shawmut has it all for defining and offering customized solutions to meet your most specific requirements:

- Adapted drives or control units
- Adapted technical performances (short-circuit current capability, endurance, small load make / break capacity)